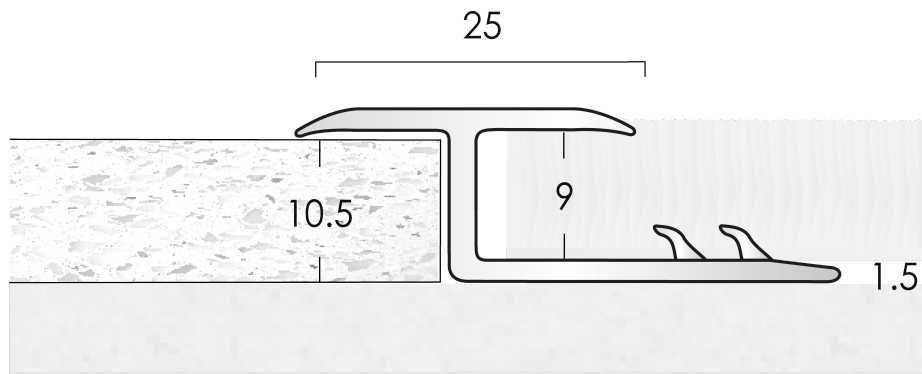


Product Technical Data Sheet



Catalogue Reference	Feline A/10 DHC
Uniclass2015	Pr_35_90_31_33 FLOOR THRESHOLD STRIPS
General Description	Twin Top Single Leg Naplock
Collection	Designer Home Collection™
Brand	Feline™
Material	Aluminium Alloy 6063 T6
Internal Height	9 mm
External Height	10.5 mm
Visible Surface When Installed	25 mm
Lengths Available	2715 mm 900 mm
Finishes Available & Light Reflective Values	Light Bronze - LRV: 27.25
Standard Supply	Supplied pre-drilled for screw or nail fixing. Drilled for size 6 screws. Fixings not supplied.
Application	For stretch fit or stick down installation methods.
Suitability	Medium to heavy contract situations such as for use in hotels, pubs, cafes, clubs, commercial offices, shops, schools and public building, as well as for quality domestic installations.
Post Consumer Recyclability	This product is 100% recyclable at suitable disposal centres.

Made with Precision, Finished with Care

Carpet Accessory Trims Limited. Units 24 A,B,C Park Avenue Estate, Luton, Bedfordshire LU3 3BP, UK

+44 (0) 1582 561 500

sales@catflooringaccessories.com

www.catflooringaccessories.com