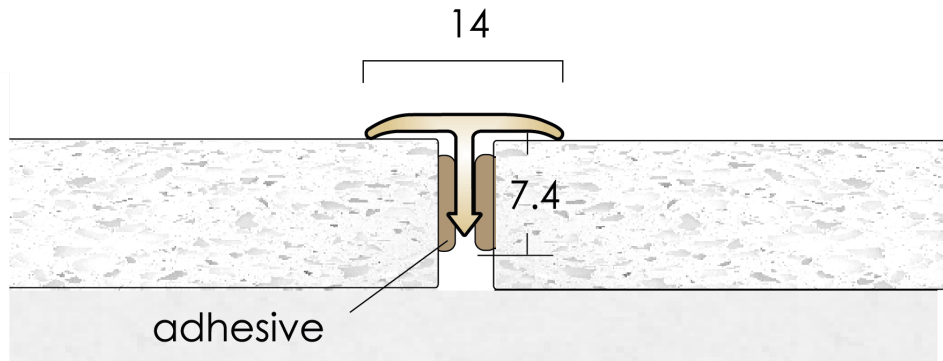


Product Technical Data Sheet



Catalogue Reference	Feline T14
Uniclass2015	Pr_35_90_31_33 FLOOR THRESHOLD STRIPS
General Description	T section
Brand	Feline™
Material	Solid Brass Grade H/H CZ108 BS EN 12164:2016
Internal Height	7.4 mm
Visible Surface When Installed	14 mm
Lengths Available	2715 mm
Finishes Available & Light Reflective Values	Satin Brass - LRV: 59.55
Standard Supply	Undrilled.
Application	Down leg design provides a secure key for adhesive fixing between adjoining flooring materials
Suitability	Medium to heavy contract situations such as for use in hotels, pubs, cafes, clubs, commercial offices, shops, schools and public building, as well as for quality domestic installations.
Post Consumer Recyclability	This product is 100% recyclable at suitable disposal centres.

**Made with Precision, Finished with Care**

Carpet Accessory Trims Limited. Units 24 A,B,C Park Avenue Estate, Luton, Bedfordshire LU3 3BP, UK

+44 (0) 1582 561 500

sales@catflooringaccessories.com

www.catflooringaccessories.com