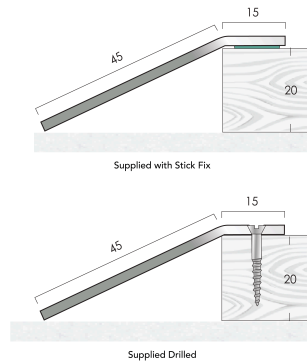


Product Technical Data Sheet



Catalogue Reference	SR20
Uniclass2015	Pr_35_90_31_29 FLOOR COVER STRIPS
General Description	Ramp
Material	Stainless Steel Grade 304L
Internal Height	20 mm
Visible Surface When Installed	60 mm
Lengths Available	2000 mm
Finishes Available & Light Reflective Values	Brushed Stainless Steel - LRV: 53.70
Standard Supply	Supplied undrilled with Stick Fix double sided adhesive tape pre-applied to the underside of the horizontal surface for non-mechanical fixing. Can also be supplied pre-drilled through the horizontal surface for size 8 screws for mechanical fixing.
Drilling	Undrilled with Stick Fix double sided adhesive tape pre-applied Drilled to TSO
Suitability	Light to medium contract situations such as for use in hotels, pubs, cafes, clubs, commercial offices, shops, schools and public building, as well as for quality domestic installations.
Post Consumer Recyclability	This product is 100% recyclable at suitable disposal centres.

Made with Precision, Finished with Care

CAT Flooring Accessories, Units 24 A,B,C Park Avenue Estate, Luton, Bedfordshire LU3 3BP, UK

+44 (0) 1582 561 500

sales@catflooringaccessories.com

www.catflooringaccessories.com