

Product Installation Guide

Product Range

ANE NAP EDGE PROFILE WITH ALUMINIUM STAIR NOSINGS USING SCREW AND PLUG FIXINGS

Product Description

ANE is an aluminium profile used to trap and protect the nap of the carpet. Designed to interlock with CAT 5mm gauge aluminium stair nosings with interlock feature at the back edge.

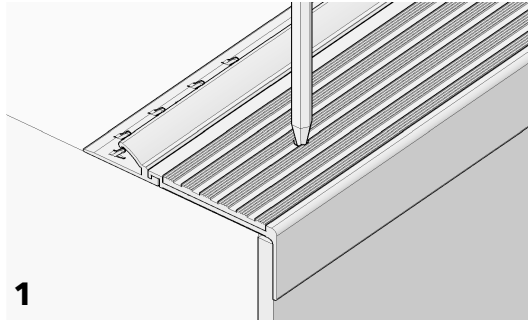
Supplied pre-punched with carpet gripper and cut to customer sizes or in stock lengths for cutting on site.

General:

It is recommended that stair nosings are glued and screwed to steps to prevent 'rattle', provide the most secure fixing and ensure product performance.

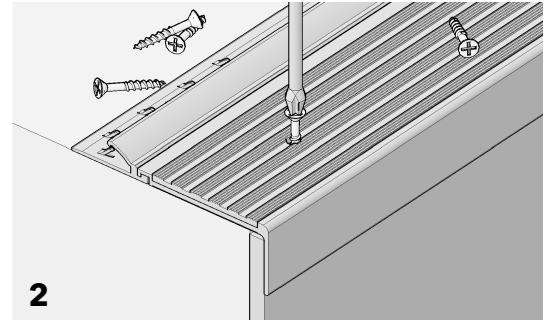
Ensure that the steps are level and in good repair. Any remedial work should be completed in advance of fixing the stair nosings and where this requires wet treatments, these must be allowed to fully cure before commencing the installation.

Installation:



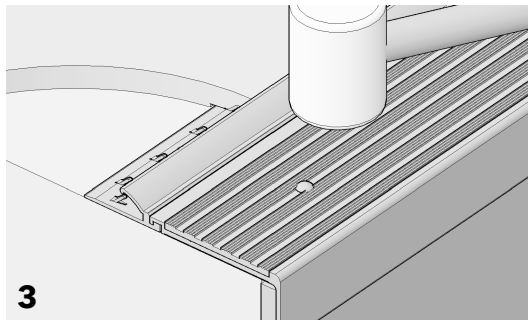
1

Fit the riser covering (where applicable) before placing the stair nosing profile and the ANE profile onto the step to mark off the position of the holes. Drill according to the substrate: pilot holes in timber, holes for plastic plugs in solid surfaces.



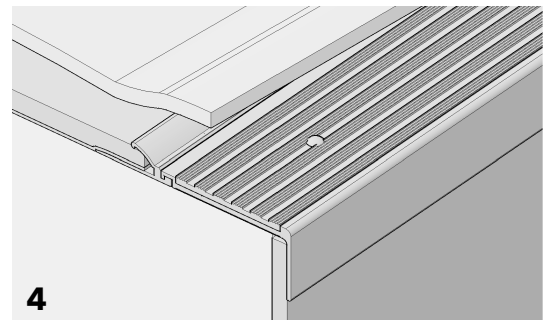
2

Ensure that the surface of the step is dust and grease free, apply three beads of adhesive to the underside of the stair nosing profile and two beads of adhesive to the underside of the ANE profile. Re-position both profiles over the pre-drilled holes and secure with screws.



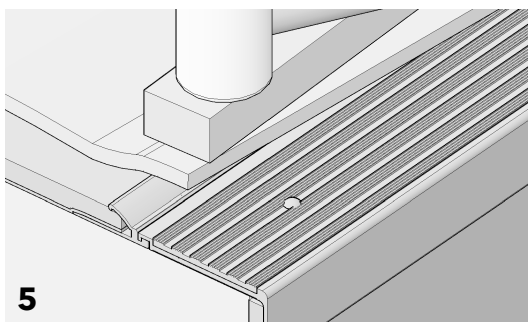
3

Place the PVC cover plugs over the screw heads and tap firmly into place using a rubber mallet before trimming and inserting the tread carpet into the ANE profile ensuring that the carpet is adequately stretched and anchored onto the punched grippers.



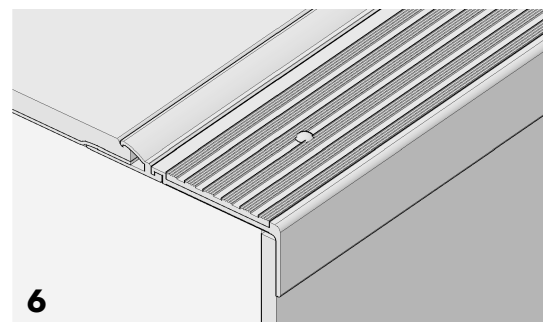
4

Place a carpet remnant over the nap edge feature to protect it from being scratched during the final stages of installation.



5

Using a block of wood on top of the carpet remnant and a rubber mallet, dress down the nap edge by tapping and working along the piece with even blows.



6

In the finished installation, the nap lock feature should be dressed down sufficiently so as to achieve a firm holding of the carpet and be level from one end of the piece to the other.

Access to the stairs should only be permitted when the adhesive has had time to fully cure.



CAT *recommends the use of STYCCO FLEX to fix any of its extensive range of stair nosings, stair edgings and stair insert products. STYCCO FLEX is a rapid curing flexible adhesive with excellent gap filling properties that can be used outside as well as inside. *subject to following the instructions given by F. Ball and Co Ltd in their STYCCO FLEX product technical data sheet, safety data sheet and installation guidelines, available in full from: www.f-ball.com

Made with Precision, Finished with Care

CAT Flooring Accessories, Units 24 A,B,C, Park Avenue Estate, Luton, Bedfordshire LU3 3BP, U.K.

T: +44 (0) 1582 561 500

email: sales@catflooringaccessories.com

website: www.catflooringaccessories.com