

## Product Installation Guide

**Product Range**

**ANEXT aluminium stair tread extender using retrofit fixings**

**Product Description**

Aluminium stair tread extender(s) and stair nosings, supplied with separate Castellated or Smooth Textured PVC, Olympic Grip, ATI49.5 or ATI137.25 aluminium infill/insert for hidden fixings.

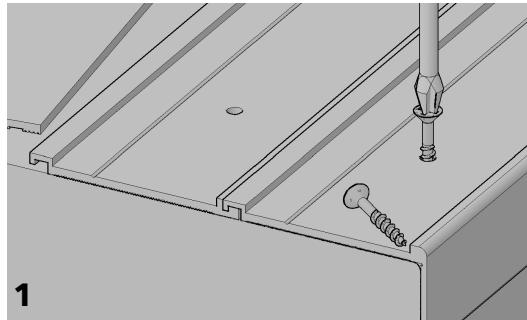
Infills/inserts are supplied with self-adhesive tape pre-applied to underside.

**General:**

It is recommended that stair nosings are glued and screwed to steps to prevent 'rattle', provide the most secure fixing and ensure product performance.

Ensure that the steps are level and in good repair. Any remedial work should be completed in advance of fixing the stair nosings and where this requires wet treatments, these must be allowed to fully cure before commencing the installation.

**Installation:**

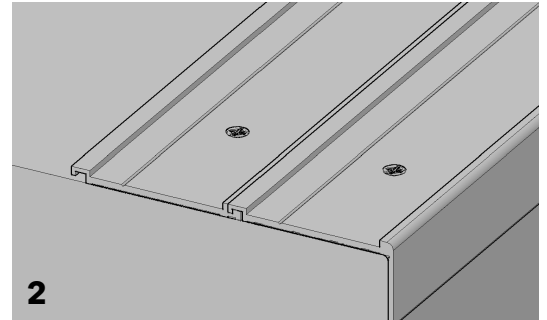


**1**

The inserts/infills are supplied loose-laid in the channel of the stair nosing profile and ANEXT tread extender. Carefully remove them and set them aside on a flat surface, taking care not to bend or otherwise distort them.

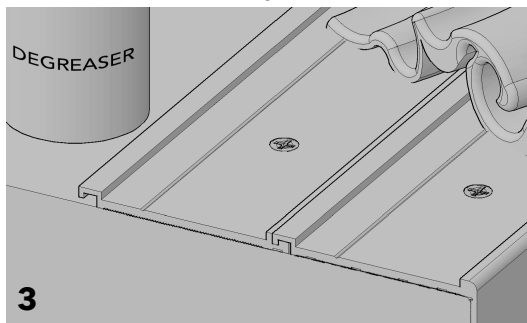
Affix the stair nosing profile using size 6 or 8 screws and adhesive. Please see product Technical Data Sheets for stair nosing screw sizes.

ANEXT should be affixed using size 8 screws.



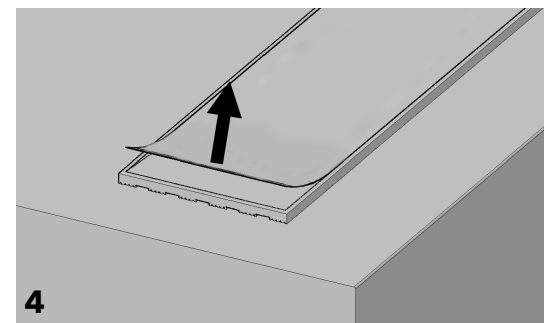
**2**

It is vital that all screw heads are down flush or below the surface of the channels. Any that remain raised will compromise the fit and bond of the concealing strip possibly resulting in product failure at a later date.



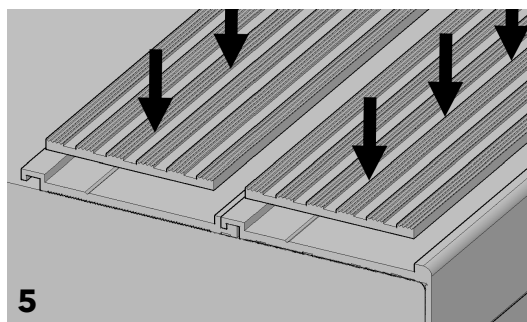
**3**

Thoroughly degrease the channels of the now fixed profiles and allow all moisture and vapours to fully dissipate.



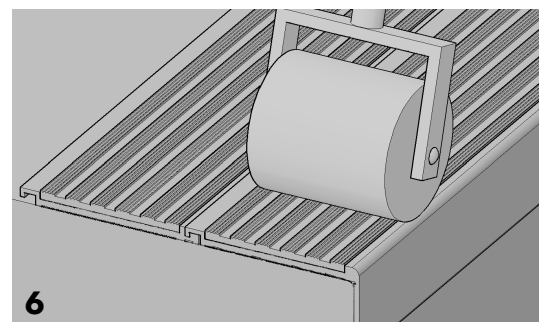
**4**

Handling carefully so as not to stretch, bend or otherwise distort the infill/insert, remove the protective backing paper from the adhesive tape on the underside.



**5**

Position the infill/insert over the channel and press into place without bending or distorting it.



**6**

Finish with a seam roller to ensure complete contact along the entire length of the now joined pieces.

Please note, our PVC infills are supplied oversized for cutting to size on site. Using a straight edge and a craft knife with a sharp blade, trim off the excess infill to complete the installation.

**Access to the stairs should only be permitted when the adhesive has had time to fully cure.**



CAT \*recommends the use of STYCCO FLEX to fix any of its extensive range of stair nosings, stair edgings and stair insert products. STYCCO FLEX is a rapid curing flexible adhesive with excellent gap filling properties that can be used outside as well as inside.

\*subject to following the instructions given by F. Ball and Co Ltd in their STYCCO FLEX product technical data sheet, safety data sheet and installation guidelines, available in full from: [www.f-ball.com](http://www.f-ball.com)

**Made with Precision, Finished with Care**