

Product Installation Guide

Product Range

Aluminium cover plates with infills

Product Description

Extruded aluminium cover plates available with castellated pvc infills or ATI49.5 castellated aluminium inserts in a range of colours and finishes to suit all installations. Please see our website for more information on available infills.

Supplied centre drilled as standard, they can be supplied off-centre drilled upon request. See our website for individual product drilling options.

General:

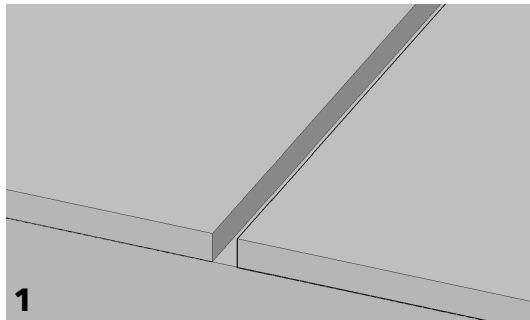
Should assistance be required in confirming that the chosen profile is correct for the particular application or for advice on any other aspect of the installation, please contact the CAT sales office prior to commencing the installation.

Installation:

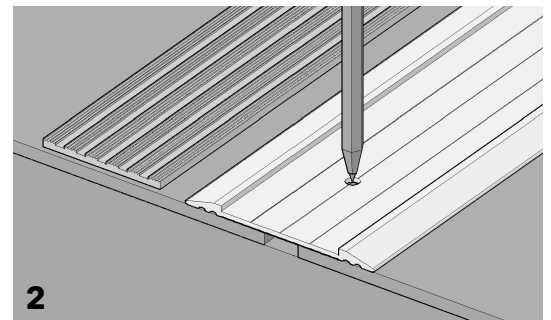
Ensure that the subfloor to which the profiles are to be fixed is in good order, dry and free from dust or any other contaminant that might compromise an effective installation.

CAT cover plates are suitable to be installed using size 6 or 8 screws. Check the Technical Data Sheets on our website for individual product screw sizes.

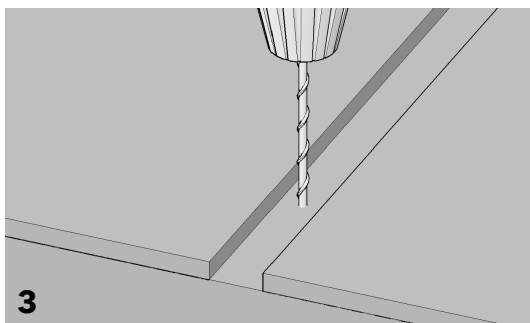
Always check to ensure that there are no water or heating pipes close to the surface of the subfloor which might be punctured by the fixing screws.



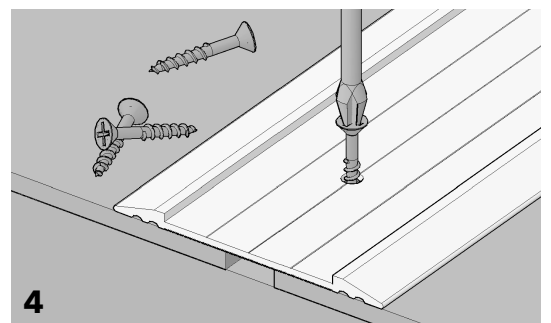
1 The flooring onto which the cover plates are to be affixed must be in good, sound order before commencing installation.



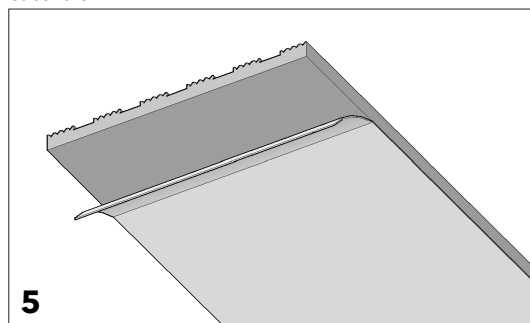
2 Our cover plates are pre-drilled 50mm in from each end and then at 250mm centres. Use the drill holes to mark the position of the holes to be drilled in the subfloor.



3 Remove the profile and drill pilot holes if fixing to timber and holes to accommodate a plastic plug if fixing to solid substrate.

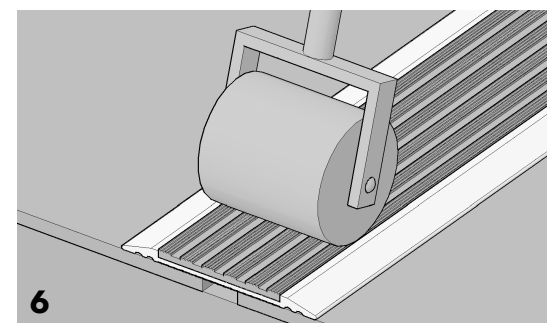


4 Reposition the cover plate profile over the pre-drilled holes and firmly secure with size 6 or 8 screws.



5 Ensure the cover plate channel is clean and free from grease and any other contaminant that might compromise an effective installation.

Remove the protective paper from the PVC Infill to expose the double-sided adhesive tape. Starting at one end firmly press the infill into the channel of the profile. Do not stretch or otherwise distort the infill.



6 To ensure a complete bond, run along the length of the installed piece with a hand roller applying a little pressure to expel any air bubbles.

Profiles are supplied with a protective tape applied to the surface. We recommend that this tape is left in place until the project is complete.

Made with Precision, Finished with Care

CAT Flooring Accessories, Units 24 A,B,C, Park Avenue Estate, Luton, Bedfordshire LU3 3BP, U.K.

T: +44 (0) 1582 561 500

email: sales@catflooringaccessories.com

website: www.catflooringaccessories.com