

## Product Installation Guide

**Product Range**

**Aluminium ramps with PVC infills**

**Product Description**

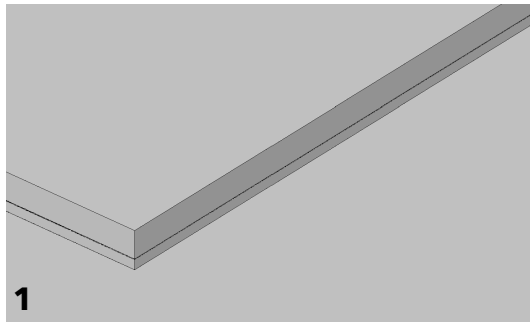
We offer aluminium ramps with PVC Castellated infills, supplied drilled for mechanical fixing, using size 8 screws, as standard. Also available undrilled upon request for adhesive only fixing.

PVC Castellated infills are available in a range of colours to suit all installations. Ramps are available in various heights to suit all flooring projects. Check our current Catalogue or website to see our complete range of ramps available.

**Installation:**

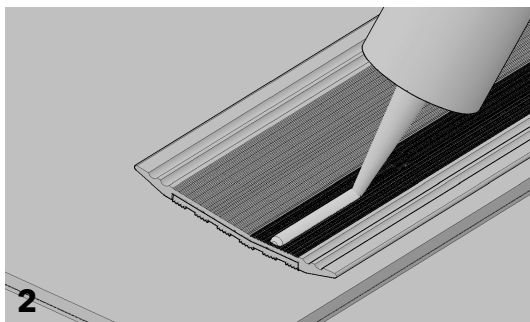
Ensure that the subfloor to which the profiles are to be fixed is in good order, dry and free from dust or any other contaminant that might compromise an effective installation.

Check to ensure that there are no water or heating pipes close to the surface of the subfloor which might get punctured by the fixing screws.

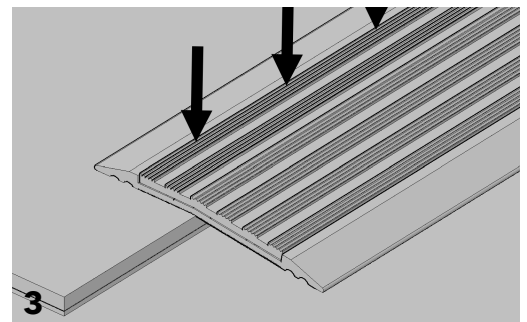


The flooring onto which the ramp profiles are to be affixed must be in good, sound order, dry and free from dust or any other contaminant, before commencing installation.

**Adhesive Only Fixing**



Apply sufficient adhesive to the underside of the ramp.



Position the ramp over floor and firmly press down along the length of the profile.

Profiles are supplied with a protective tape applied to the surface. We recommend that this tape is left in place until the project is complete.

**Access to the area should only be permitted when the adhesive has had time to fully cure.**



CAT \*recommends the use of STYCCO FLEX to fix any of its extensive range of floor trims, stair nosings, stair edgings and stair insert products. STYCCO FLEX is a rapid curing flexible adhesive with excellent gap filling properties that can be used outside as well as inside.

\*subject to following the instructions given by F. Ball and Co Ltd in their STYCCO FLEX product technical data sheet, safety data sheet and installation guidelines, available in full from: [www.f-ball.com](http://www.f-ball.com)

**Made with Precision, Finished with Care**

CAT Flooring Accessories, Units 24 A,B,C, Park Avenue Estate, Luton, Bedfordshire LU3 3BP, U.K.

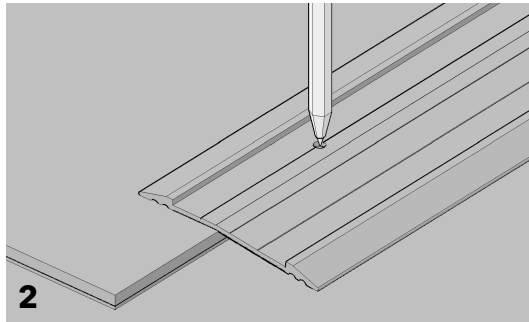
T: +44 (0) 1582 561 500

email: [sales@catflooringaccessories.com](mailto:sales@catflooringaccessories.com)

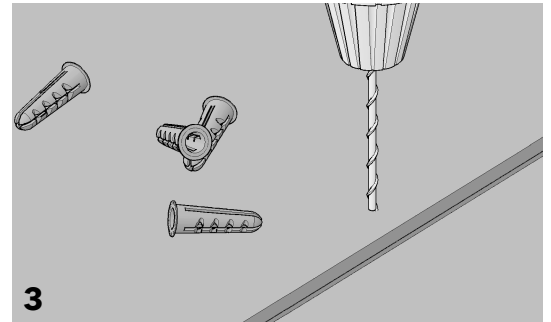
website: [www.catflooringaccessories.com](http://www.catflooringaccessories.com)

Product Installation Guide

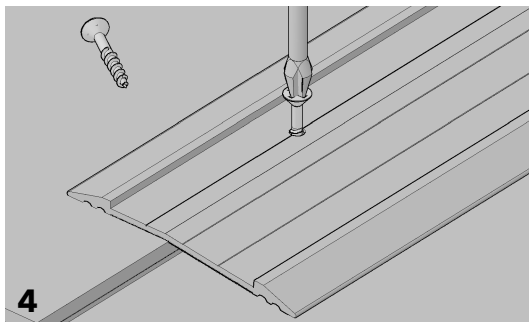
**Mechanical Fixing**



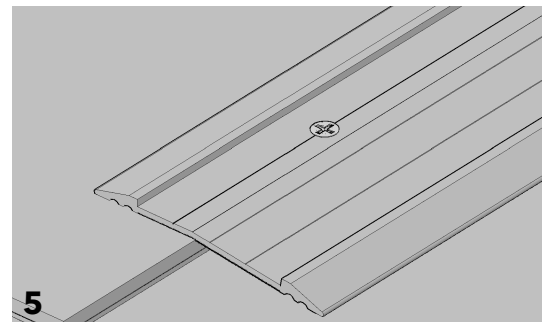
**2** Ramps are supplied pre-drilled. Use the drill holes to mark the positions to be drilled in the subfloor.



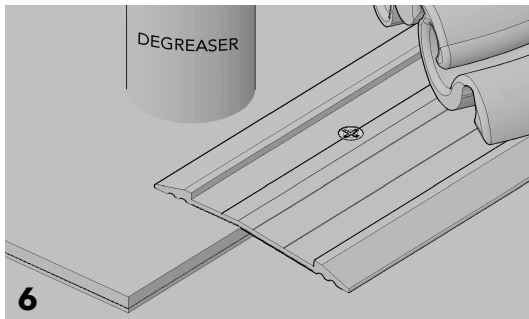
**3** Remove the profile and drill pilot holes if fixing to timber and holes to accommodate a plastic plug if fixing to solid substrate.



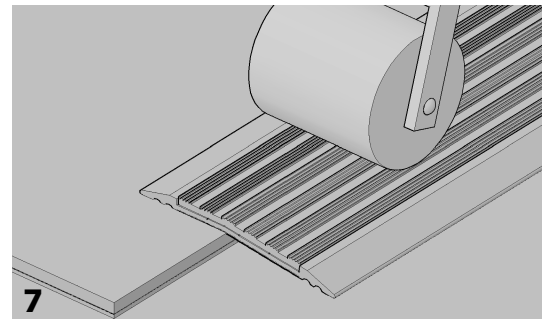
**4** Reposition the cover plate profile over the pre-drilled holes and firmly secure with size 8 screws.



**5** Make sure that the screw heads are flush or slightly lower than the countersunk holes.



**6** Thoroughly degrease the channel of the now fixed profile and allow all moisture and vapours to fully dissipate.



**7** Remove the protective paper from the PVC Infill to expose the double-sided adhesive tape and starting at one end firmly press the infill into the channel of the profile. **DO NOT STRETCH THE INFILL.** To ensure a complete bond, run along the length of the installed piece with a hand roller applying a little pressure to expel any air bubbles.

Profiles are supplied with a protective tape applied to the surface. We recommend that this tape is left in place until the project is complete.

**Made with Precision, Finished with Care**

CAT Flooring Accessories, Units 24 A,B,C, Park Avenue Estate, Luton, Bedfordshire LU3 3BP, U.K.

T: +44 (0) 1582 561 500

email: [sales@catflooringaccessories.com](mailto:sales@catflooringaccessories.com)

website: [www.catflooringaccessories.com](http://www.catflooringaccessories.com)