

## Product Installation Guide

**Product Range**

**ALUMINIUM STAIR NOSINGS INCORPORATING A REAR CHANNEL TO PROVIDE FOR CONCEALED FIXINGS**

**Product Description**

Extruded aluminium stair nosings with castellated tread and with a separate, Castellated or Smooth Textured PVC concealing strip for on-site retro fitting to allow for hidden fixing in the rear channel.

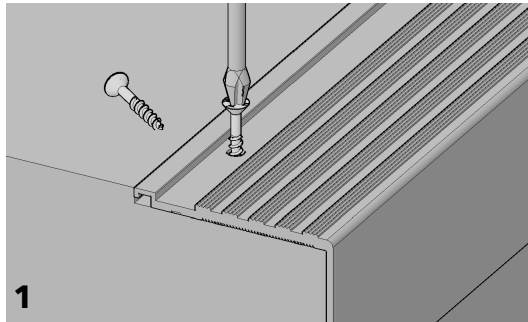
Profiles are supplied cut to customer sizes or in stock lengths for cutting on site, pre-drilled for size 8 screws. PVC concealing strips are supplied with double-sided adhesive tape pre-applied to the underside.

**General:**

It is recommended that stair nosings are glued and screwed to the steps to prevent 'rattle', provide the most secure fixing and ensure product performance.

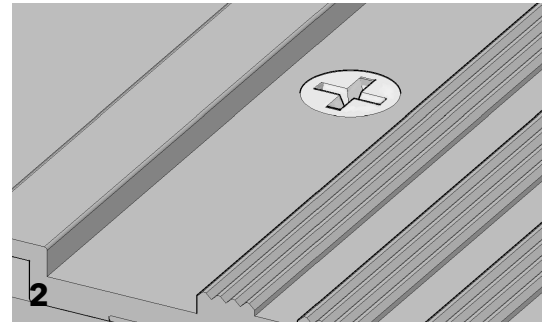
Ensure that the steps are level and in good repair. Any remedial work should be completed in advance of fixing the stair nosings and where this requires wet treatments, these must be allowed to fully cure before commencing the installation.

**Installation:**

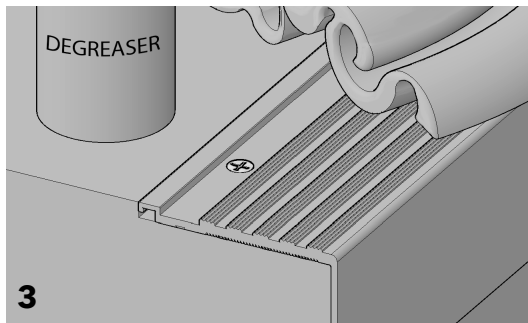


The PVC concealing strip is supplied loose-laid in the channel of the stair nosing profile. Carefully remove it and set it aside on a flat surface, taking care not to bend or otherwise distort it.

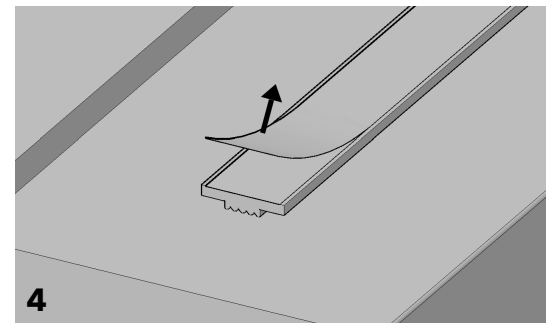
Affix the stair nosing profile using size 8 screws and adhesive.



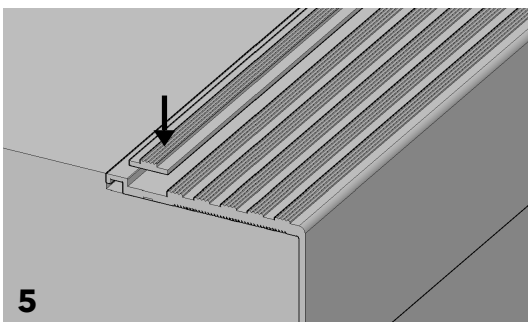
It is vital that all screw heads are down flush or below the surface of the channel. Any that remain raised will compromise the fit and bond of the concealing strip possibly resulting in product failure at a later date.



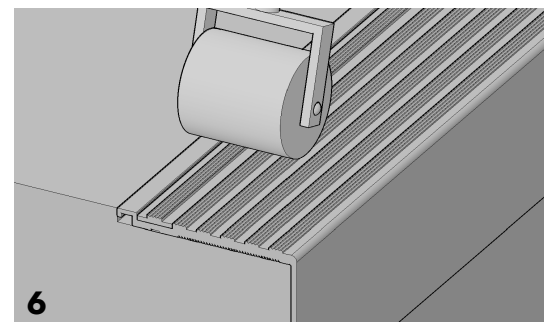
Thoroughly degrease the channel of the now fixed profile and allow all moisture and vapours to fully dissipate.



Handling carefully so as not to bend or otherwise distort the concealing strip, remove the protective backing paper from the adhesive tape.



Position the concealing strip over the channel and press into place without bending or distorting it.



Finish with a seam roller to ensure complete contact along the entire length of the now joined pieces.

**Access to the stairs should only be permitted when the adhesive has had time to fully cure.**



CAT \*recommends the use of STYCCO FLEX to fix any of its extensive range of stair nosings, stair edgings and stair insert products. STYCCO FLEX is a rapid curing flexible adhesive with excellent gap filling properties that can be used outside as well as inside. \*subject to following the instructions given by F. Ball and Co Ltd in their STYCCO FLEX product technical data sheet, safety data sheet and installation guidelines, available in full from: [www.f-ball.com](http://www.f-ball.com)

**Made with Precision, Finished with Care**

CAT Flooring Accessories, Units 24 A,B,C, Park Avenue Estate, Luton, Bedfordshire LU3 3BP, U.K.

T: +44 (0) 1582 561 500

email: [sales@catflooringaccessories.com](mailto:sales@catflooringaccessories.com)

website: [www.catflooringaccessories.com](http://www.catflooringaccessories.com)