

## Product Installation Guide

**Product Range**

**ALUMINIUM STAIR NOSINGS WITH PVC INFILL FOR RETRO FIT**

**Product Description**

Extruded Aluminium profiles supplied with Castellated or Smooth Textured PVC slip resistant infill for on site retro-fit, concealed fixing.

Profiles supplied cut to customer sizes or in stock lengths for cutting on site, pre-drilled/countersunk for size 6 or 8 screws. Check product Technical Data Sheet for more information on screw size.

PVC infill with double-sided adhesive tape pre-applied to the underside, supplied oversized for trimming on site.

**General:**

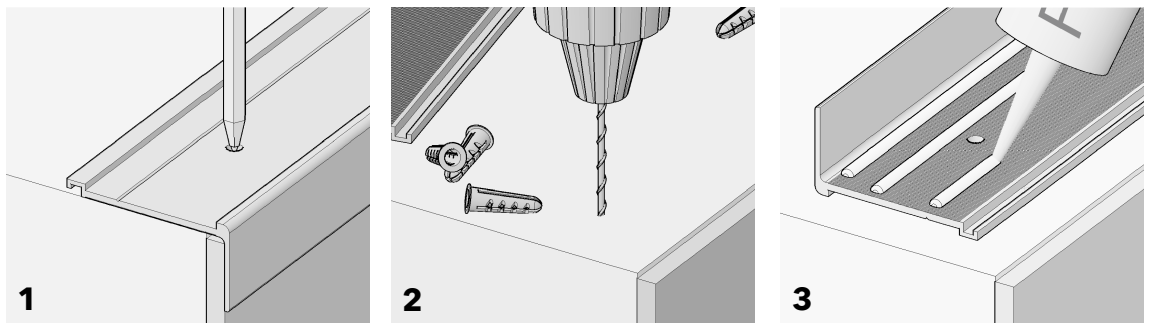
Square back nosings are to be installed to abut to floor coverings, ramped tread nosings are to be installed on top of existing floor coverings.

It is recommended that stair nosings are installed using \*Stycco Flex adhesive and screws to ensure against 'rattle' and to achieve the most secure fixing.

PVC Infill should be fitted at room temperature, not cold environments, to avoid the possibility of contraction. If dust, moisture or other contaminants are allowed to come into contact with the exposed adhesive tape, the performance will be seriously affected and may lead to product failure.

Ensure that the steps are level and in good repair. Any remedial work should be completed in advance of fixing the stair nosings and where this requires wet treatments, these must be allowed to fully cure before commencing the installation.

**Installation:**



**1**

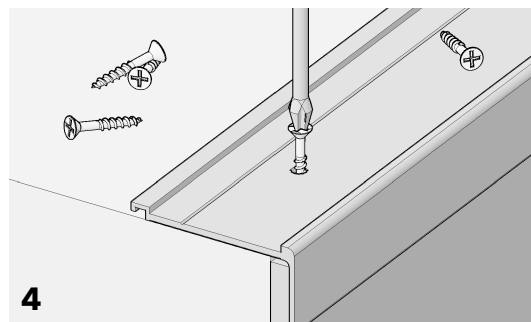
Fit the riser covering (where applicable) before placing the stair nosing profile onto the step to mark off the position of the holes.

**2**

Drill according to the substrate: pilot holes in timber, holes for plastic plugs in solid surfaces.

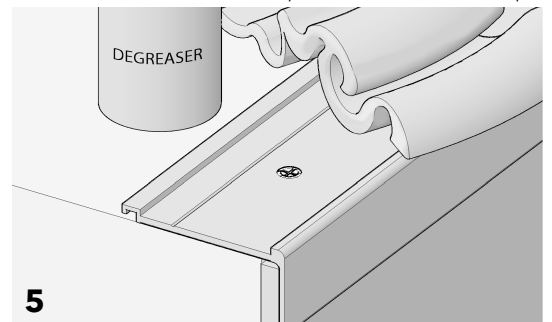
**3**

Apply two or three beads of adhesive to the underside of the stair nosing then reposition onto the step aligning the holes in the profile with holes in the step.



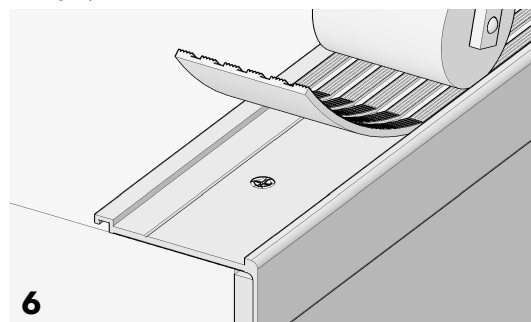
**4**

Secure with screws ensuring that the screw heads are flush or slightly lower than the countersunk holes.



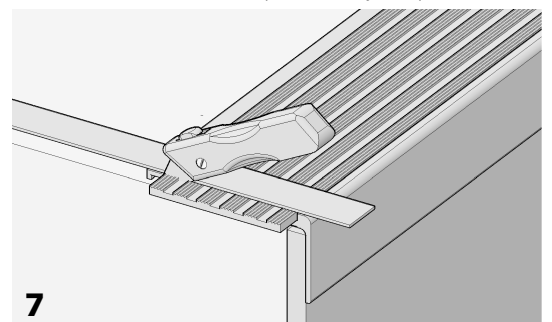
**5**

Thoroughly degrease the channel of the now fixed profile and allow all moisture and vapours to fully dissipate.



**6**

Remove the protective paper from the PVC Infill to expose the double-sided adhesive tape and starting at one end firmly press the infill into the channel of the profile. DO NOT STRETCH THE INFILL. To ensure a complete bond, run along the length of the installed piece with a hand roller applying a little pressure to expel any air bubbles.



**7**

Using a straight edge and a craft knife with a sharp blade, trim off the excess infill to complete to installation.

**Access to the stairs should only be permitted when the adhesive has had time to fully cure.**



CAT \*recommends the use of STYCCO FLEX to fix any of its extensive range of stair nosings, stair edgings and stair insert products. STYCCO FLEX is a rapid curing flexible adhesive with excellent gap filling properties that can be used outside as well as inside. \*subject to following the instructions given by F. Ball and Co Ltd in their STYCCO FLEX product technical data sheet, safety data sheet and installation guidelines, available in full from: [www.f-ball.com](http://www.f-ball.com)

**Made with Precision, Finished with Care**

CAT Flooring Accessories, Units 24 A,B,C, Park Avenue Estate, Luton, Bedfordshire LU3 3BP, U.K.

T: +44 (0) 1582 561 500

email: [sales@catflooringaccessories.com](mailto:sales@catflooringaccessories.com)

website: [www.catflooringaccessories.com](http://www.catflooringaccessories.com)