

Product Installation Guide

Product Range

BNE naplock profile with brass stair nosings using retrofit fixings

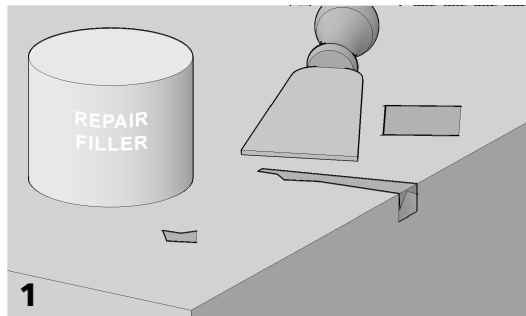
Product Description

BNE is a brass profile used to trap and protect the nap of the carpet. Designed to abut to CAT 4.8mm and 5mm gauge brass stair nosings or stand-alone for use where 5mm resilient flooring adjoins carpet. Supplied pre-punched with carpet grippers and cut to customer sizes or in stock lengths for cutting on site.

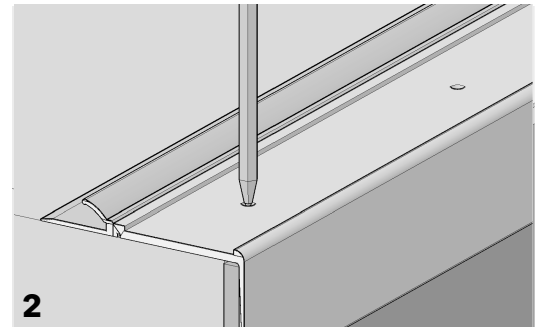
General:

It is recommended that nap edges are installed using *adhesive and screws to achieve the most secure fixing.

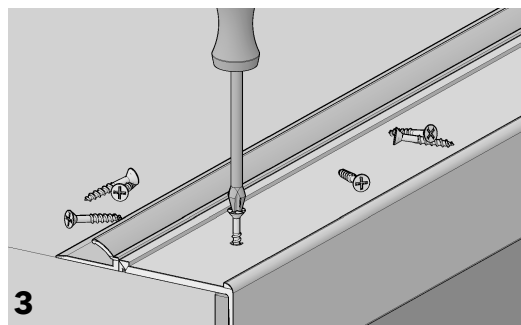
Installation:



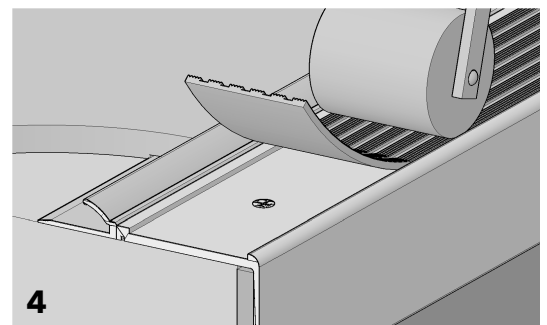
1
The steps to which the profiles are to be affixed must be in good, sound order with any remedial works being completed before commencing the installation.



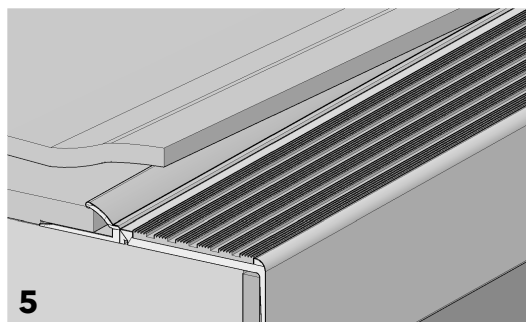
2
Fit the riser covering (where applicable) before placing the stair nosing profile and the BNE profile onto the step to mark off the position of the holes. Drill according to the substrate: pilot holes in timber, holes for plastic plugs in solid surfaces.



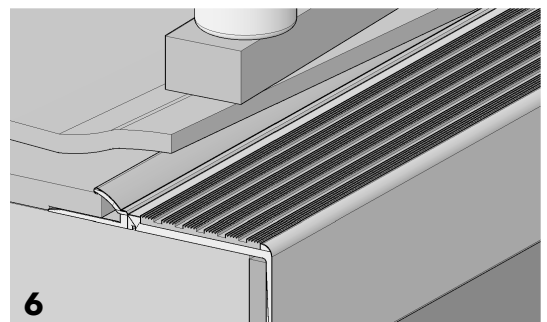
3
Ensure that the surface of the step is dust and grease free, apply three beads of adhesive to the underside of the stair nosing profile and two beads of adhesive to the underside of the BNE profile. Re-position both profiles over the pre-drilled holes and secure with screws.



4
Remove the protective paper from the adhesive tape in the nosing channel, position the PVC infill strip or BT149.5 brass insert and without stretching or bending, press it firmly into place before using a seam roller to expel any air bubbles. Trim and fit the tread carpet into the nap edge of the BNE profile.



5
Place a carpet remnant over the nap edge feature to protect it from being scratched.



6
Using a block of wood and a rubber mallet, tap the nap edge down to trap the carpet. Work along the piece with even blows until the required grip has been achieved and the nap edge runs level from end to end.

Access to the stairs should only be permitted when the adhesive has had time to fully cure.



CAT *recommends the use of STYCCO FLEX to fix any of its extensive range of stair nosings, stair edgings and stair insert products. STYCCO FLEX is a rapid curing flexible adhesive with excellent gap filling properties that can be used outside as well as inside. *subject to following the instructions given by F. Ball and Co Ltd in their STYCCO FLEX product technical data sheet, safety data sheet and installation guidelines, available in full from: www.f-ball.com

Made with Precision, Finished with Care

CAT Flooring Accessories, Units 24 A,B,C, Park Avenue Estate, Luton, Bedfordshire LU3 3BP, U.K.

T: +44 (0) 1582 561 500

email: sales@catflooringaccessories.com

website: www.catflooringaccessories.com