

Product Installation Guide

Product Range

BNFE30 ramp detail with brass stair nosings

Product Description

BNFE30 ramp detail profile is suitable for installation with our 4.8mm and 5mm gauge brass nosings, including our solid profiles and profiles with infill. Designed for retrofit on stone and timber stairs and stairs fitted with LVT and other hard floorings.

BNFE30 is available in CAT's four signature brass finishes to match our brass stair nosings. Available in stock lengths of 2.750m or cut to customer sizes.

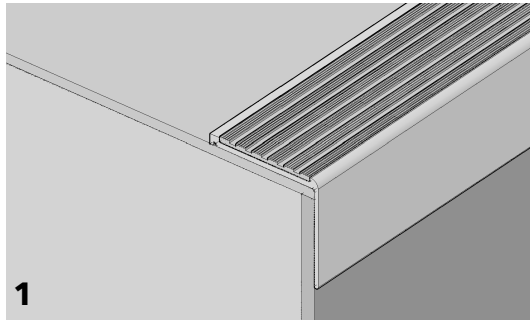
BNFE30 is supplied with Stick Fix™ double-sided adhesive tape pre-applied to the underside. Alternatively, upon request it can be supplied without Stick Fix™ for adhesive installation.

General:

This installation guide details the installation of BNFE30 ramp detail. We have complete installation guides for installing brass stair nosings. Please select the relevant installation guide for your stair nosing profile prior to installing BNFE30.

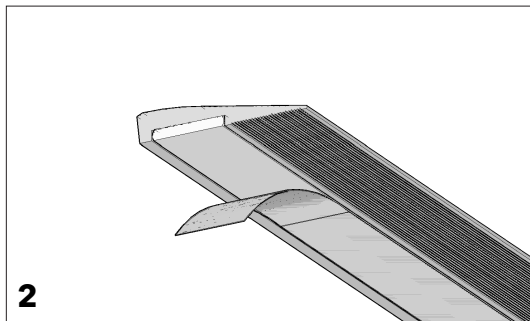
Ensure that the steps are level and in good repair. Any remedial work should be completed in advance of fixing the stair nosings and ramp details, where this requires wet treatments, these must be allowed to fully cure before commencing the installation.

Installation:

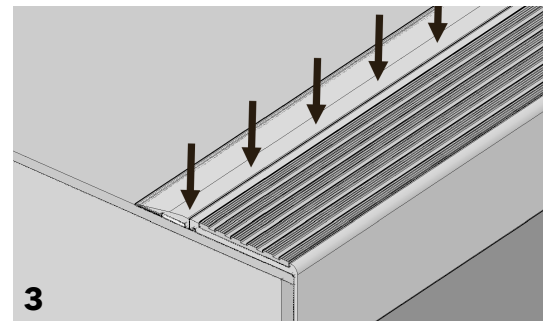


Ensure the area where BNFE30 is to be installed is in good repair and is dry and free from dust, grease or any other contaminant that might compromise an effective installation.

Stick Fix

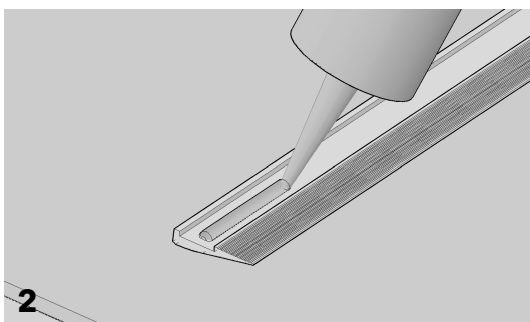


Peel back the tape cover, and position the ramp detail profile into place behind your chosen stair nosing profile.

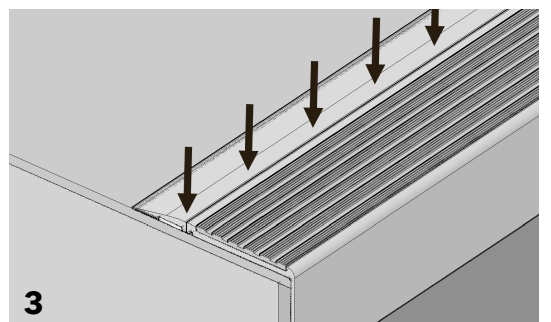


Press down firmly along the whole length of the ramp detail and proceed back and forth with pressure until the profile is fixed firmly into place.

Adhesive



Apply one or two beads of adhesive to the underside of the ramp detail profile.



Position the ramp detail profile into place behind your chosen stair nosing profile. Press down firmly along the whole length of the ramp detail and proceed back and forth with pressure until the profile is fixed firmly into place.

Access to the stairs should only be permitted when the adhesive has had time to fully cure.



CAT *recommends the use of STYCCO FLEX to fix any of its extensive range of stair nosings, stair edgings and stair insert products. STYCCO FLEX is a rapid curing flexible adhesive with excellent gap filling properties that can be used outside as well as inside. *subject to following the instructions given by F. Ball and Co Ltd in their STYCCO FLEX product technical data sheet, safety data sheet and installation guidelines, available in full from: www.f-ball.com

Made with Precision, Finished with Care

CAT Flooring Accessories, Units 24 A,B,C, Park Avenue Estate, Luton, Bedfordshire LU3 3BP, U.K.

T: +44 (0) 1582 561 500

email: sales@catflooringaccessories.com

website: www.catflooringaccessories.com