

Product Installation Guide

Product Range

Brass stair nosings with BTI49.5 tread insert

Product Description

Brass stair nosings with channel for screw fixings, supplied with separate BTI49.5 Tread Insert Plate to allow for hidden fixing. BTI49.5 Tread Insert Plate supplied with self-adhesive tape pre-applied to underside.

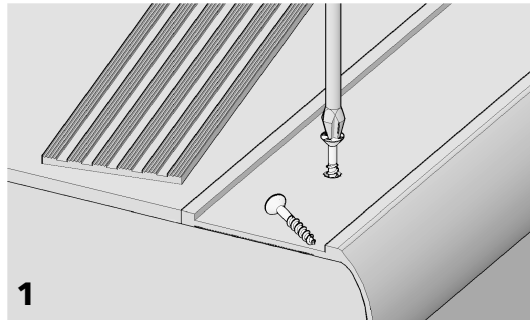
General:

Square back nosings are to be installed to abut to floor coverings, ramped tread nosings are to be installed on top of existing floor coverings.

It is recommended that stair nosings are glued and screwed to steps to prevent 'rattle', provide the most secure fixing and ensure product performance.

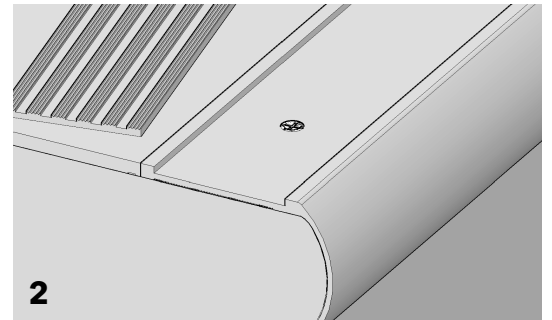
Ensure that the steps are level and in good repair. Any remedial work should be completed in advance of fixing the stair nosings and where this requires wet treatments, these must be allowed to fully cure before commencing the installation.

Installation:



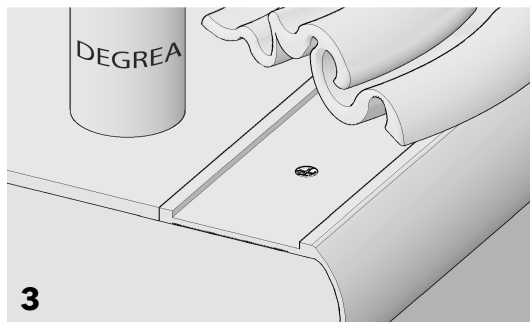
1

The BTI49.5 Tread Insert Plate is supplied loose-laid in the channel of the stair nosing profile. Carefully remove it and set it aside on a flat surface, taking care not to bend or otherwise distort it. Affix the stair nosing profile using size 6 or 8 screws and beading adhesive. Please check product technical data sheet on recommended screw size.



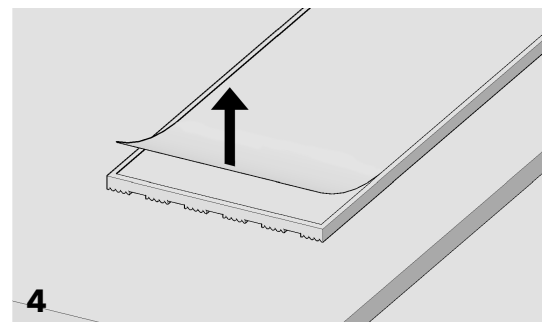
2

It is vital that all screw heads are down flush or below the surface of the channel. Any that remain raised will compromise the fit and bond of the BTI49.5 Tread Insert Plate, possibly resulting in product failure at a later date.



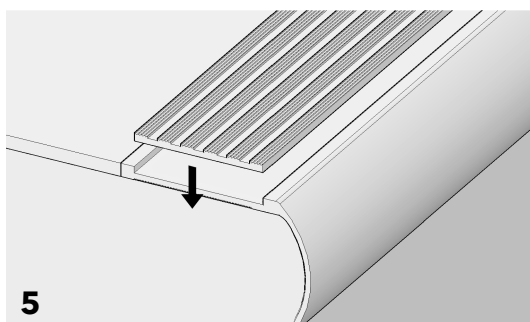
3

Thoroughly degrease the channel of the now fixed profile and allow all moisture and vapours to fully dissipate.



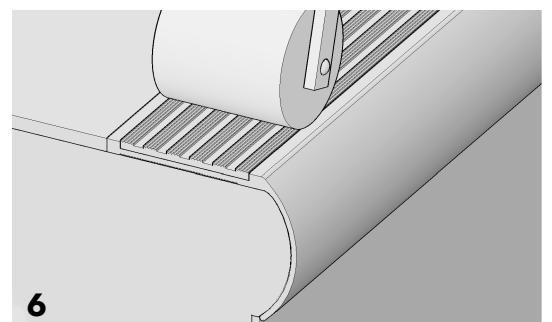
4

Handling carefully so as not to bend or otherwise distort the BTI49.5 Tread Insert, remove the protective backing paper from the adhesive tape on the underside.



5

Position the BTI49.5 Tread Insert over the channel and press into place without bending or distorting it.



6

Finish with a seam roller to ensure complete contact along the entire length of the now joined pieces.

Access to the stairs should only be permitted when the adhesive has had time to fully cure.



CAT *recommends the use of STYCCO FLEX to fix any of its extensive range of stair nosings, stair edgings and stair insert products. STYCCO FLEX is a rapid curing flexible adhesive with excellent gap filling properties that can be used outside as well as inside. *subject to following the instructions given by F. Ball and Co Ltd in their STYCCO FLEX product technical data sheet, safety data sheet and installation guidelines, available in full from: www.f-ball.com

Made with Precision, Finished with Care

CAT Flooring Accessories, Units 24 A,B,C, Park Avenue Estate, Luton, Bedfordshire LU3 3BP, U.K.

T: +44 (0) 1582 561 500

email: sales@catflooringaccessories.com

website: www.catflooringaccessories.com