

Product Installation Guide

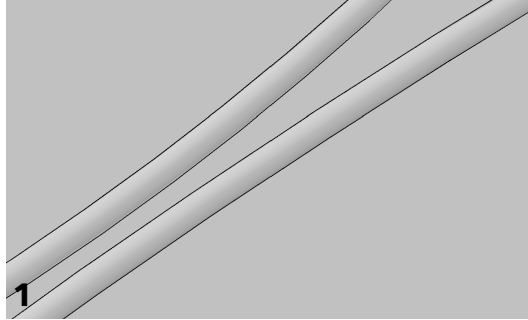
Product Range**uPVC Cable Protectors****Product Description**

We offer a range of ramped uPVC cable protectors with anti-slip bases. Our range includes single and double cable channel profiles with varying cable channel heights and widths to suit all installations.

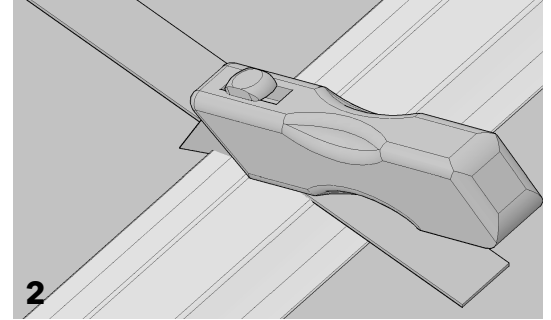
Available in black or black/yellow for installations where high visibility is needed.

Installation:

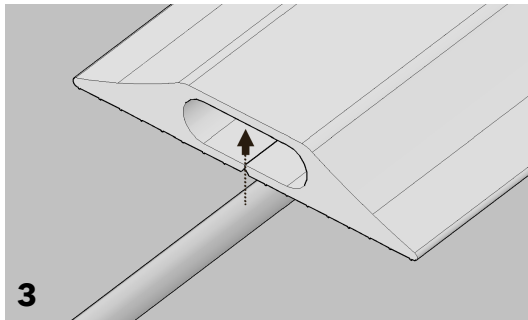
Ensure that the floor onto which the profiles are to be installed is in good order, dry and free from dust or any other contaminant that might compromise an effective installation.



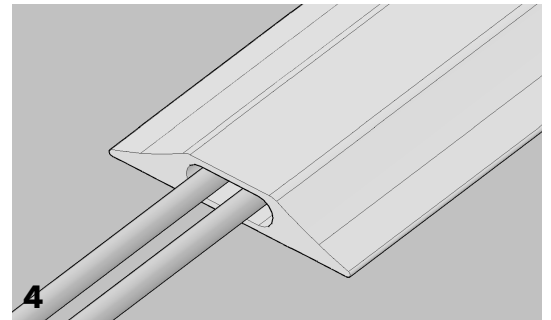
The flooring onto which the cable protector is to be laid must be in good, clean order before commencing installation. There is no need to unplug cables during installation.



Cut the cable protector to the desired size.



Taking care not to damage cables by pulling on them with force, insert the cable or cables into the cable channel(s) using the pre-cut slit on the underside of the cable protector.



Loose lay cable protector over the floor covering.

Made with Precision, Finished with Care

CAT Flooring Accessories, Units 24 A,B,C, Park Avenue Estate, Luton, Bedfordshire LU3 3BP, U.K.

T: +44 (0) 1582 561 500

email: sales@catflooringaccessories.com

website: www.catflooringaccessories.com