

## Product Installation Guide

**Product Range**

**Capping profiles**

**Product Description**

Single naplock capping profiles designed to be installed on walls with floorings affixed where traditional skirtings are not preferred. Suitable for carpet & carpet tile or vinyl & lino installations, depending on the profile chosen. See our website or contact our sales office for more information on profile suitability.

Available in various finishes and materials, including Brass, Stainless Steel and Aluminium. Please see our latest Catalogue for more information on available finishes.

Profiles are available in stock lengths, visit our website for more information including individual product stock length.

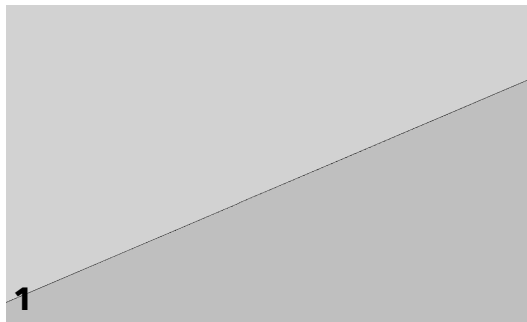
Supplied drilled for mechanical fixing using size 6 screws.

**General:**

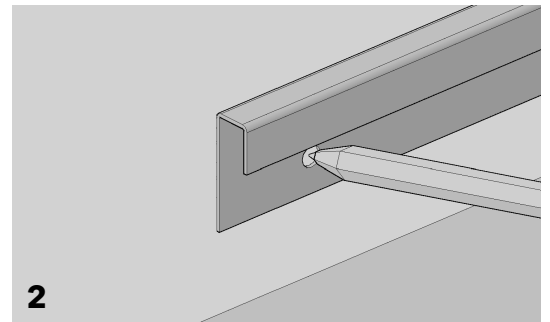
Should assistance be required in confirming that the chosen profile is correct for the particular application or for advice on any other aspect of the installation, please contact the CAT sales office prior to commencing the installation.

**Installation:**

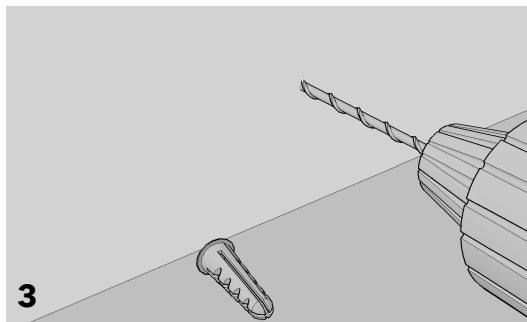
Always check to ensure that there are no water pipes, heating pipes or electrical cables close to the surface of the wall which might be punctured by the fixing screws.



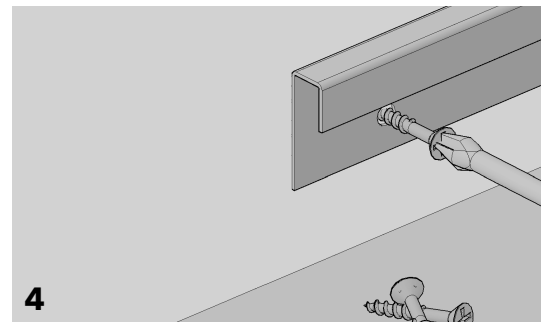
**1**  
The wall surface onto which the capping profiles are to be affixed must be in good, sound order before commencing installation.



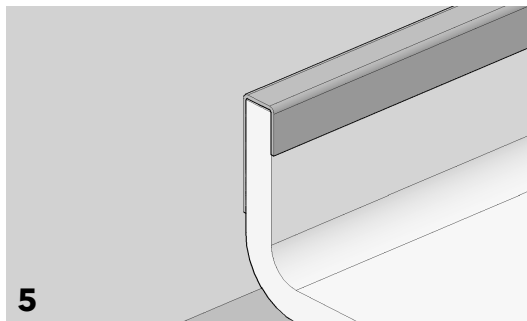
**2**  
Wide cover plates are supplied pre-drilled for mechanical installation. Use the drill holes to mark the position of the holes to be drilled in the wall.



**3**  
Remove the profile and drill pilot holes if fixing to timber and holes to accommodate a plastic plug if fixing to solid materials.



**4**  
Reposition the capping profile over the pre-drilled holes and firmly secure with size 6 screws.



**5**  
Fit your chosen floor covering- carpet/capet tile or vinyl/lino.

Profiles are supplied with a protective tape applied to the surface. We recommend that this tape is left in place until the project is complete.

**Made with Precision, Finished with Care**

CAT Flooring Accessories, Units 24 A,B,C, Park Avenue Estate, Luton, Bedfordshire LU3 3BP, U.K.

T: +44 (0) 1582 561 500

email: sales@catflooringaccessories.com

website: www.catflooringaccessories.com