

Product Installation Guide

Product Range

Cover plates with an underside fold with Stick Fix™

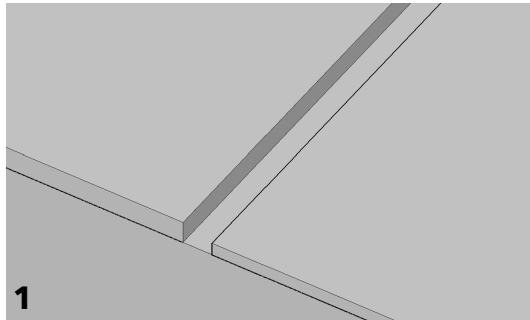
Product Description

We offer a range of aluminium, brass and stainless steel cover plates supplied with Stick Fix™ tape pre-applied to the underside of the profile.

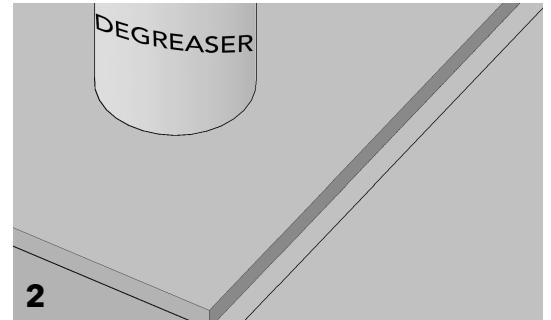
Available in a range of high quality finishes, in various lengths to suit all flooring projects. Check our current Catalogue or website to see our complete range of cover plates available.

Installation:

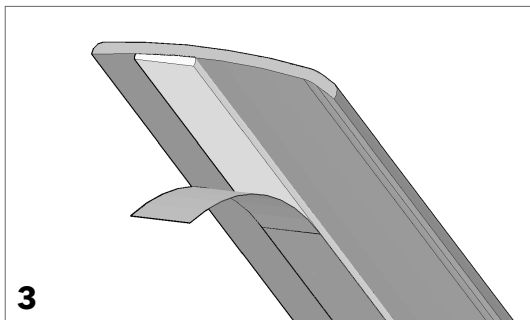
Ensure that the subfloor to which the profiles are to be fixed is in good order, dry and free from dust or any other contaminant that might compromise an effective installation.



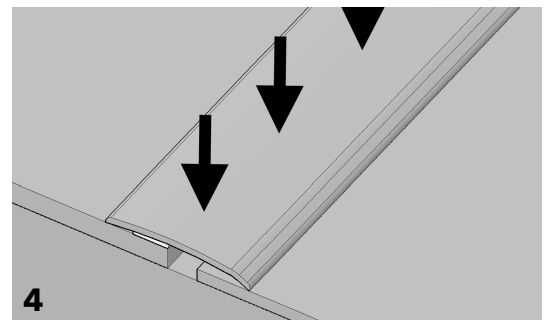
1
The flooring onto which the cover plates are to be affixed must be in good, sound order before commencing installation.



2
Cover plates are supplied with pre-applied, Stick Fix™ self adhesive tape. Make sure the flooring is clean from dirt and dust.



3
Peel back the tape cover, and position the cover plate profile into place, allowing for any expansion if required.



4
Press down firmly along the whole length of the cover plate and proceed back and forth with pressure until the profile is fixed firmly into place.

Profiles are supplied with a protective tape applied to the surface. We recommend that this tape is left in place until the project is complete.

Made with Precision, Finished with Care

CAT Flooring Accessories, Units 24 A,B,C, Park Avenue Estate, Luton, Bedfordshire LU3 3BP, U.K.

T: +44 (0) 1582 561 500

email: sales@catflooringaccessories.com

website: www.catflooringaccessories.com