

## Product Installation Guide

**Product Range**

**Cover plates with an underside fold with mechanical fixing**

**Product Description**

Aluminium, brass and stainless steel cover plates available in a wide range of finishes to suit all installations. Please see our latest Catalogue for more information on available finishes and lengths.

Supplied centre drilled for mechanical fixing using size 8 screws.

**General:**

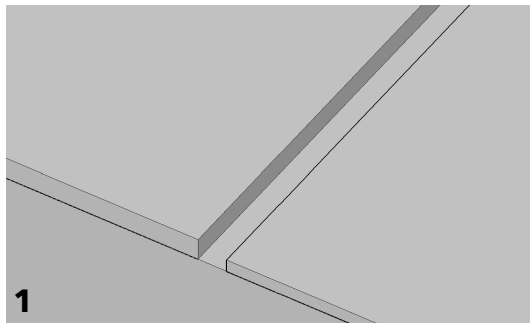
These profiles are also available undrilled with Stick Fix™ tape pre-applied to the underside for non-mechanical fixing. A separate installation guide is available for Stick Fix installations.

Should assistance be required in confirming that the chosen profile is correct for the particular application or for advice on any other aspect of the installation, please contact the CAT sales office prior to commencing the installation.

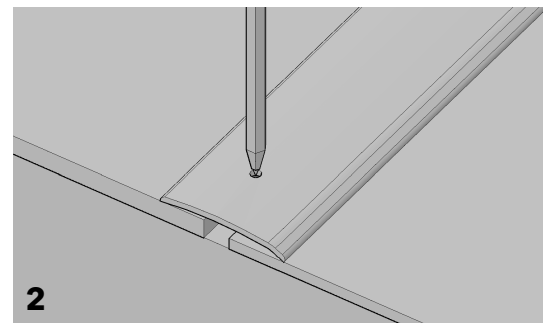
**Installation:**

Ensure that the subfloor to which the profiles are to be fixed is in good order, dry and free from dust or any other contaminant that might compromise an effective installation.

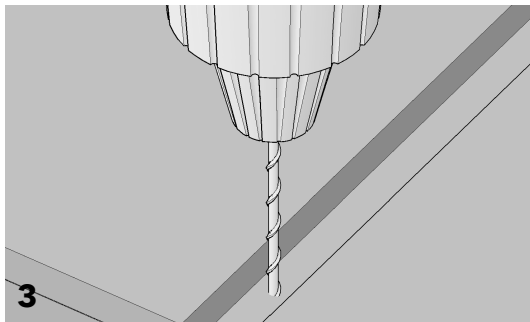
Always check to ensure that there are no water or heating pipes close to the surface of the subfloor which might be punctured by the fixing screws.



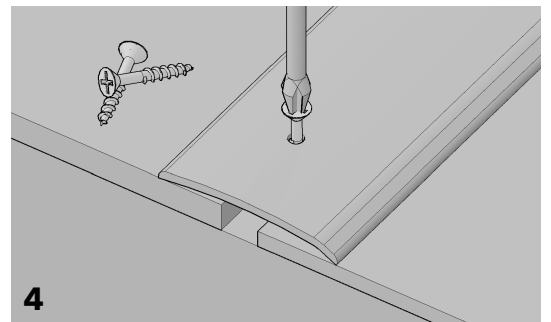
The flooring onto which the cover plates are to be affixed must be in good, sound order before commencing installation.



Our cover plates are pre-drilled 50mm in from each end and then at 250mm centres. Use the drill holes to mark the position of the holes to be drilled in the subfloor.



Remove the profile and drill pilot holes if fixing to timber and holes to accommodate a plastic plug if fixing to solid substrate.



Reposition the cover plate profile over the pre-drilled holes and firmly secure with size 6 or 8 screws.

Profiles are supplied with a protective tape applied to the surface. We recommend that this tape is left in place until the project is complete.

**Made with Precision, Finished with Care**

CAT Flooring Accessories, Units 24 A,B,C, Park Avenue Estate, Luton, Bedfordshire LU3 3BP, U.K.

T: +44 (0) 1582 561 500

email: sales@catflooringaccessories.com

website: www.catflooringaccessories.com