

Product Installation Guide

Product Range

FPA, FPB & FPSS stair tread insert plates

Product Description

FPA aluminium, FPB brass and FPSS stainless steel stair tread insert plates provide definition and foot traction where a stair nosing is not preferred.

Can also be used as a floor inlay feature (see separate installation guide).
Suitable for use in timber, stone, ceramics, concrete and all post-affixed flooring materials.

For information on available finishes please see our Catalogue or our website.

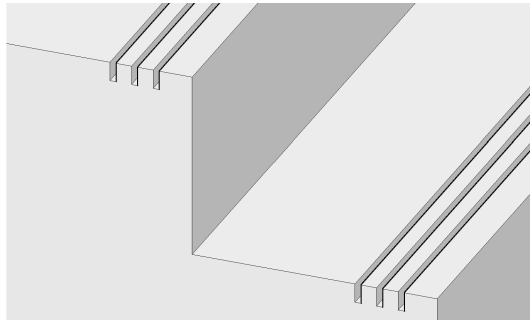
General:

Stair tread insert plates are designed and supplied for *adhesive fixing only. They can also be used externally when a two-part epoxy resin is the preferred choice for fixing.

It is recommended that a sample of the chosen profile be requested for approval prior to routing the rebate so as to ensure that the rebate is created to dimensions that will accommodate both the profile and the fixing adhesive whilst leaving the top edge of the profile approximately 2mm proud of the tread surface to provide for foot traction.

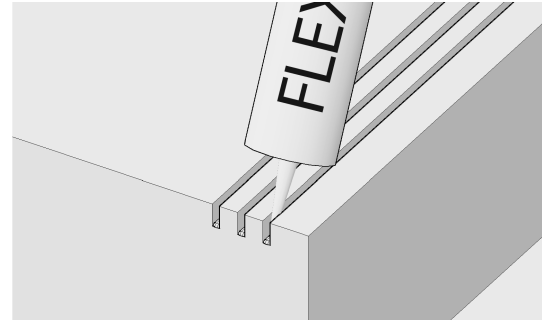
Please note that our aluminium insert plates available in anodised finishes have exposed aluminium ends and are only suitable for full width stair treads.

Installation:

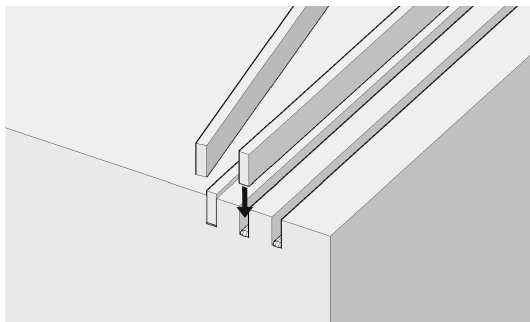


Rebate the tread as required to accommodate the width of the chosen profile and to a depth sufficient to allow for the adhesive and for the profile to remain approximately 2mm proud of the tread surface in the finished installation.

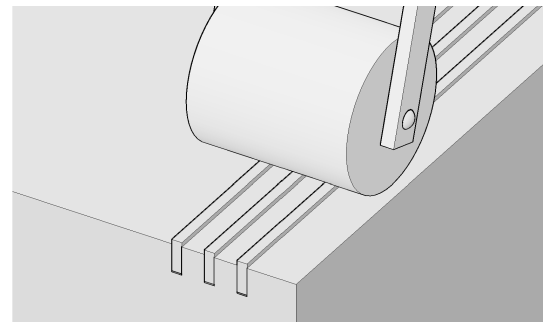
Ensure that the rebate is dust and grease free before applying the adhesive.



Apply a bead of adhesive to the centre of each of the rebates. The amount of adhesive should be sufficient to spread across the base and part way up the walls of the profile but not ooze above the top surface when pressed into position.



Position the profiles into the rebates and press firmly down onto the adhesive.



Finish with a hand roller to ensure an even spread of the adhesive. In the finished installation, all profiles should be level one to another and approximately 2mm proud of the tread surface.

Access to the stairs should only be permitted when the adhesive/mortar has had time to fully cure.



CAT *recommends the use of STYCCO FLEX to fix any of its extensive range of stair nosings, stair edgings and stair insert products. STYCCO FLEX is a rapid curing flexible adhesive with excellent gap filling properties that can be used outside as well as inside. *subject to following the instructions given by F. Ball and Co Ltd in their STYCCO FLEX product technical data sheet, safety data sheet and installation guidelines, available in full from: www.f-ball.com

Made with Precision, Finished with Care

CAT Flooring Accessories, Units 24 A,B,C, Park Avenue Estate, Luton, Bedfordshire LU3 3BP, U.K.

T: +44 (0) 1582 561 500

email: sales@catflooringaccessories.com

website: www.catflooringaccessories.com