

Product Installation Guide

Product Range

Feather Edge Profiles

Product Description

We offer a range of aluminium and brass feather edge profiles supplied undrilled as standard for adhesive only fixing.

Our AFE75 feather edge profile can be supplied centre or off-centre drilled upon request for mechanical and adhesive fixing.

Available in a range of high quality finishes, in various lengths and heights to suit all flooring projects. Check our current Catalogue or website to see our complete range of feather edge profiles available.

Installation:

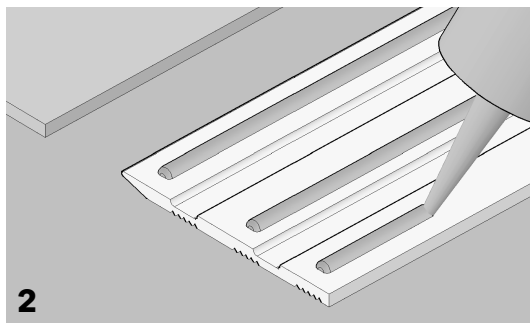
Ensure that the subfloor to which the profiles are to be fixed is in good order, dry and free from dust or any other contaminant that might compromise an effective installation.

If using mechanical fixing, check to ensure that there are no water or heating pipes close to the surface of the subfloor which might get punctured by the fixing screws.

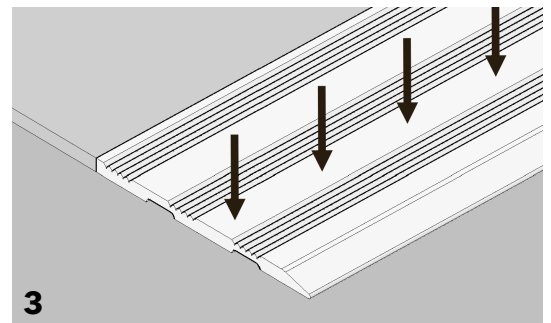


The flooring onto which the feather edge profiles are to be affixed must be in good, sound order before commencing installation.

Adhesive Only Fixing:

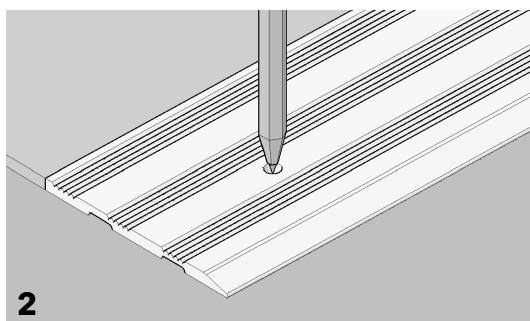


Ensure that the surface of the flooring is dust and grease free and apply two or three beads of adhesive (depending on width of chosen profile) to the underside of the feather edge profile.

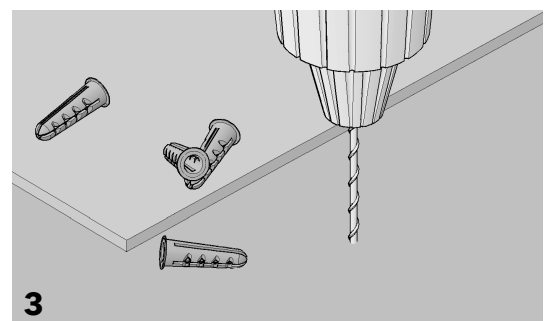


Reposition the feather edge profile over the pre-drilled holes and firmly secure with size 8 screws.

Mechanical and Adhesive Fixing:



If requested drilled, AFE75 profiles are pre-drilled 50mm in from each end and then at 250mm centres. Use the drill holes to mark the positions to be drilled in the subfloor.



Remove the profile and drill pilot holes if fixing to timber and holes to accommodate a plastic plug if fixing to solid substrate.

Made with Precision, Finished with Care

CAT Flooring Accessories, Units 24 A,B,C, Park Avenue Estate, Luton, Bedfordshire LU3 3BP, U.K.

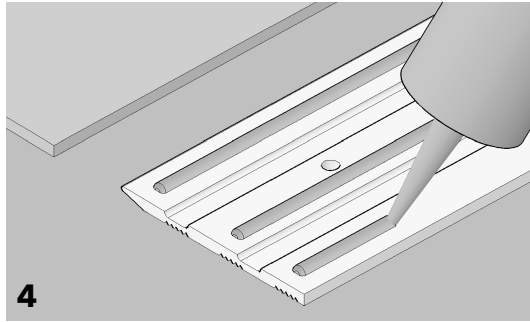
T: +44 (0) 1582 561 500

email: sales@catflooringaccessories.com

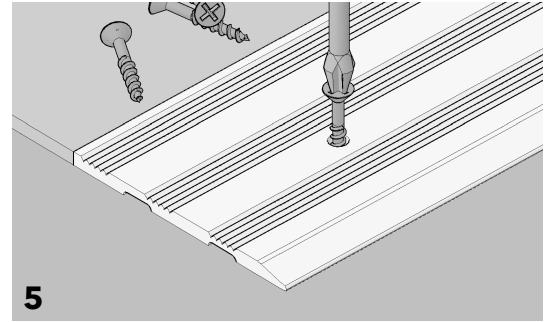
website: www.catflooringaccessories.com

Product Installation Guide

Adhesive Only Fixing:



Ensure that the surface of the flooring is dust and grease free and apply two or three beads of adhesive (depending on width of chosen profile) to the underside of the feather edge profile.



Reposition the feather edge profile over the pre-drilled holes and firmly secure with size 8 screws. Ensure that the screw heads are flush with or below the top of the profile.

Profiles are supplied with a protective tape applied to the surface. We recommend that this tape is left in place until the project is complete.

Made with Precision, Finished with Care

CAT Flooring Accessories, Units 24 A,B,C, Park Avenue Estate, Luton, Bedfordshire LU3 3BP, U.K.

T: +44 (0) 1582 561 500

email: sales@catflooringaccessories.com

website: www.catflooringaccessories.com