

Product Installation Guide

Product Range

Product Description

Feature Angles (BFA's & SFA's)

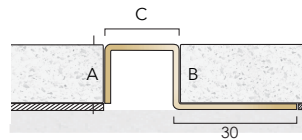
Brass and Stainless Steel profiles supplied with a drilled base for mechanical fixing using size 6 screws. Also available with pre-punched bases upon request, suitable for mechanical and adhesive fixing.

Suitable for Timber, Stone & Ceramic and other hard floor coverings at the same level.

Our feature angles are available in various finishes. Always check the suitability of the chosen profile on our website or by contacting our sales team.

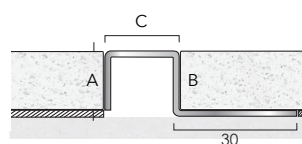
Please choose the correct profile height to suit the application:

Brass



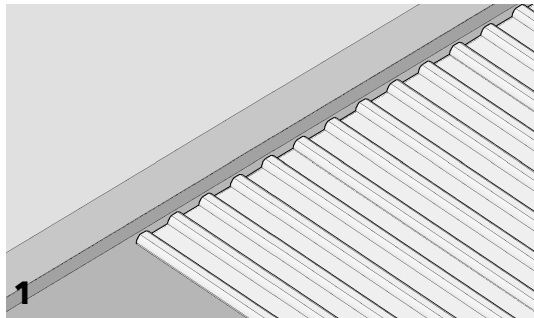
Product Code	A	B	C
BFA9/7	9	9	7
BFA12/8	11	11	8
BFA12/15	12	12	15
BFA15/15	15	15	15

Stainless Steel

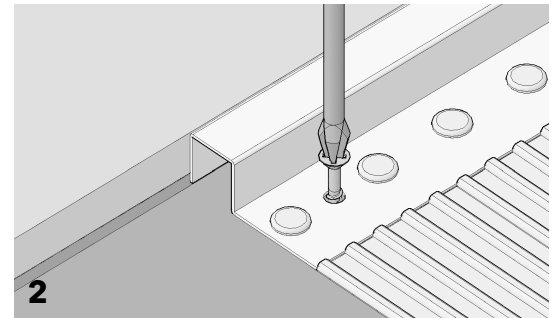


Product Code	A	B	C
SFA9/7	9	9	7
SFA12/15	12	12	15
SFA15/15	15	15	15
SFA22/18	22	22	18

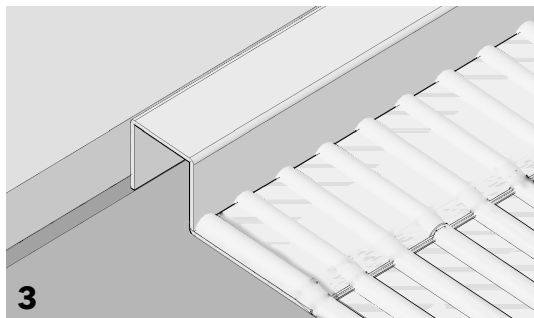
Installation



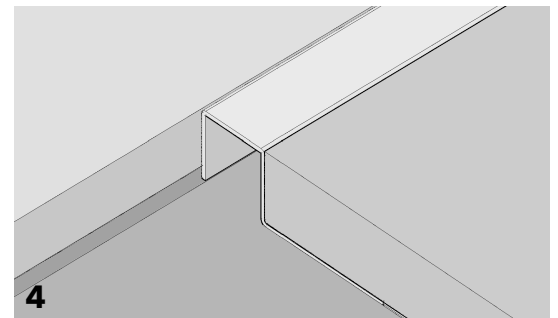
Install the flooring against which the angle will be fitted. Using a notched trowel, spread the tile adhesive evenly over the area where the angle is to be positioned. When mechanically fixing the profile to the sub-floor, mark the position of the holes and drill according to the substrate (holes to suit plugs and screws in solid substrates or pilot holes in timber).



Position the angle against the flooring previously installed and bed the profile firmly into the adhesive. If mechanical fixing, secure using size 6 screws. Ensure that the screw heads are flush with or below the flooring profile's surface.



Cover the base of the installed profile with additional tile adhesive making sure that the holes in the base are completely filled.



Begin laying the flooring leaving a gap for grouting between the profile and the tile.

Any grout should be removed from the surface of the profile immediately.

Made with Precision, Finished with Care

CAT Flooring Accessories, Units 24 A,B,C, Park Avenue Estate, Luton, Bedfordshire LU3 3BP, U.K.

T: +44 (0) 1582 561 500

email: sales@catflooringaccessories.com

website: www.catflooringaccessories.com