

Product Installation Guide

Product Range

FELINE® AT25 DHC, FELINE® AT35, FELINE® T14, FELINE® T25, FAB® T28, T BASE 12 & T BASE 15

Product Description

Aluminium, brass and stainless steel cover height adjustable T sections designed for joining stone, timber and ceramic floors at the same level while protecting the edges.

Top profiles are suitable to be installed with single leg T BASE 12 and T BASE 15 uPVC bases or using adhesive only. Please note, our Feline T14 profile is only suitable to be installed using adhesive and is not compatible with uPVC bases.

Profiles are available in various heights and stock lengths, see our website for more information on individual product availability.

Always select the top and base profiles that are appropriate for the application and follow this guide to ensure a satisfactory installation.

General:

Before cutting the trim, check that it is the correct profile for the intended flooring material being installed. Should assistance be required in confirming that the chosen profile is correct for the particular application or for advice on any other aspect of the installation, please contact the CAT sales office prior to commencing the installation.

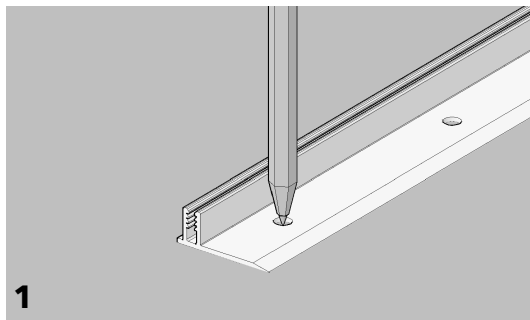
Installation:

Ensure that the subfloor to which the profiles are to be fixed is in good order, dry and free from dust or any other contaminants that might compromise an effective installation.

CAT recommend that base profiles are fixed using adhesive and size 6 countersunk screws.

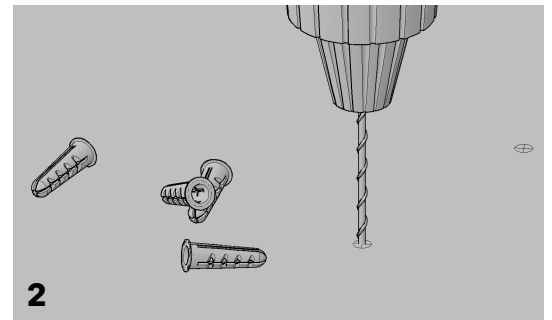
Check to ensure that there are no water or heating pipes close to the surface of the subfloor which might get punctured by the fixing screws.

Installation with a base



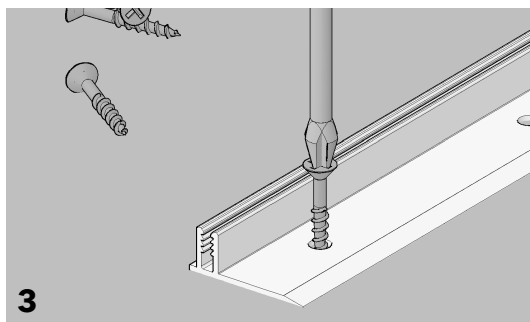
1

Make sure the sub-floor is clean from dust and dirt. Position the profile base section into place. Using the holes in the base as a guide, mark out the drill holes onto the substrate.



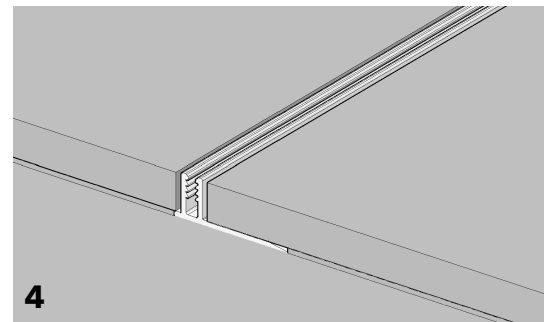
2

Using a 6mm masonry drill bit, drill the marked substrate. Insert a suitably sized plug to accommodate a 25mm no. 6 countersunk screw.



3

Apply a bead of cartridge adhesive to the underside of the base section and firmly position into place. Secure the base with a no. 6 countersunk screw.



4

Fit the floor coverings either side of the base profile, allowing for expansion if required.

Made with Precision, Finished with Care

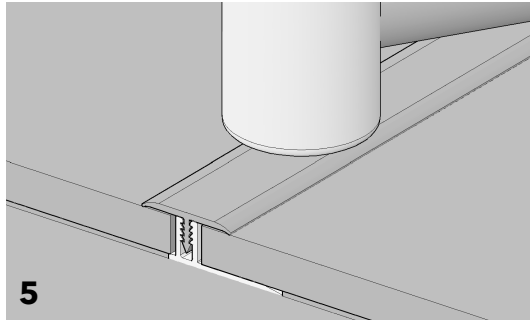
CAT Flooring Accessories, Units 24 A,B,C, Park Avenue Estate, Luton, Bedfordshire LU3 3BP, U.K.

T: +44 (0) 1582 561 500

email: sales@catflooringaccessories.com

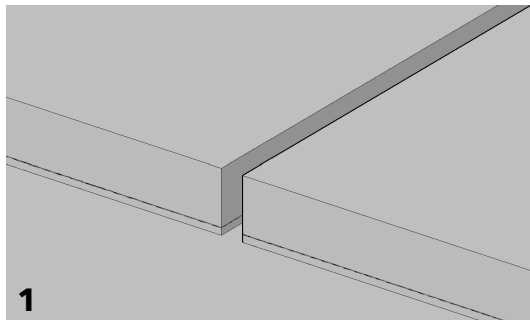
website: www.catflooringaccessories.com

Product Installation Guide



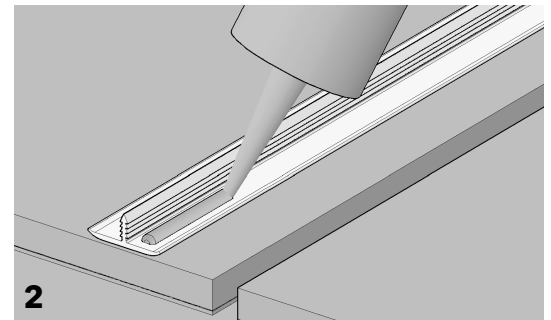
Starting at one end of the installed base profile, position the top over the base profile so that the respective clip-in features align, and connect the profiles by firmly tapping down with a rubber mallet, continuing along the length of the piece until fully located to the level of the flooring material(s).

Adhesive only installation

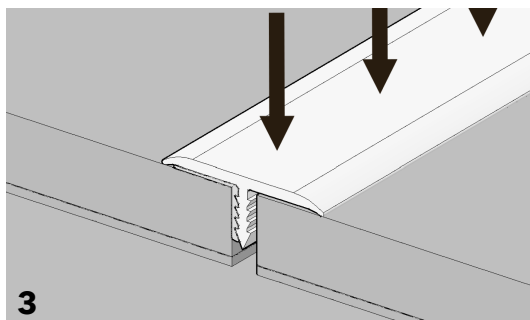


Fit the floor coverings either side where the profile is to be installed, allowing for expansion if required.

Make sure the floor coverings fitted are free from dust, grease and other contaminants that might compromise an effective installation.



Apply adhesive along the underside of the profile. Apply adhesive to one side if expansion is required or to both sides if expansion is not required.



Place the profile onto the floor covering junction and press down firmly along the whole length of the profile until the profile is fixed into place.

Important Note:

- Top profiles are supplied with a protective tape applied to the surface. We recommend that this tape is left in place until the project is complete.
- For long runs, stagger the joins in the top profile by 150mm over the joins in the base profile.
- Whilst the interference fit of the Feline T feature is effective in every application, it is common place to apply small beads of adhesive along the inside of the base to prevent the top profile from 'creeping', particularly on long runs in heavy traffic areas.



CAT *recommends the use of STYCCO FLEX to fix any of its extensive range of floor trims, stair nosings, stair edgings and stair insert products. STYCCO FLEX is a rapid curing flexible adhesive with excellent gap filling properties that can be used outside as well as inside. *subject to following the instructions given by F. Ball and Co Ltd in their STYCCO FLEX product technical data sheet, safety data sheet and installation guidelines, available in full from: www.f-ball.com

Made with Precision, Finished with Care

CAT Flooring Accessories, Units 24 A,B,C, Park Avenue Estate, Luton, Bedfordshire LU3 3BP, U.K.

T: +44 (0) 1582 561 500

email: sales@catflooringaccessories.com

website: www.catflooringaccessories.com