

Product Installation Guide

Product Range

Glass-fibre reinforced plastic sheets - GRPS

Product Description

The GRPS is a 5mm thick glass-fibre reinforced plastic formed into sheet material. Perfect for external walkways this anti-slip sheet material can be used in tandem with the GRPN55/55 nosing for a full anti-slip system.

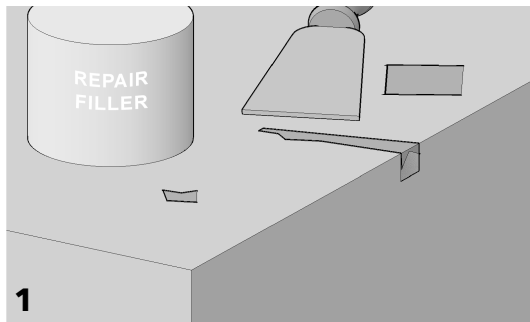
Profiles supplied in stock sizes for cutting on site or supplied pre-cut to customer sizes upon request. Check product Technical Data Sheet for more information.

Important:

If any localised trimming is required, we recommend the use of a jigsaw, preferably fitted with a tungsten carbide blade or alternatively an angle grinder with a diamond tipped cutting disc.

Cutting should be carried out externally or where there is dust extraction or suitable ventilation and appropriate protective equipment should be worn. It is very important to wear PPE Safety Equipment at all times, when working with this Glass-fibre Reinforced Plastic. Recommended safety equipment includes: Eye Goggles/Spectacles, Protective Gloves, Safety Boots, P2 Type Dust Mask, Ear Defenders and Overalls.

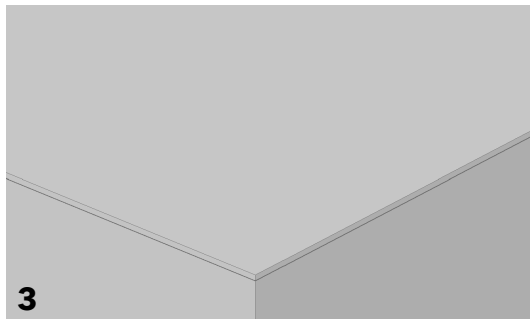
Adhesive Only Installation:



1

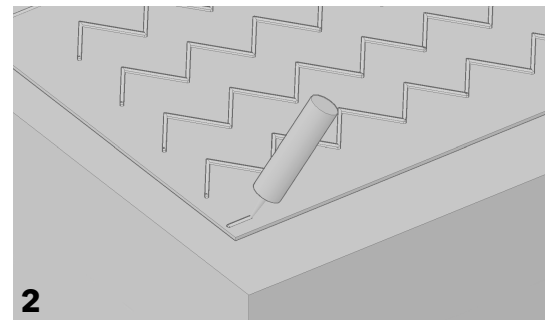
Ensure that the steps are level and in good repair. Any remedial work should be completed in advance of fixing the stair nosings and where this requires wet treatments, these must be allowed to fully cure before commencing the installation.

Always consider dry laying the sheets first to ensure they fit properly and evenly.



3

Carefully position the GRP sheet and press firmly into place.



2

Ensure the surface onto which the GRP sheet is being installed is clean, dry and free from grease.

Apply adhesive* to the underside of the GRP sheet, running 2 beads of adhesive along the length as well as a zigzag across the centre.

Pedestrian access should only be permitted when the adhesive has had time to fully cure.

CAT *recommends the use of FLEXY FIX to fix any of its extensive range of GRP stair nosings, stair tread nosings and sheet products. FLEXY FIX is a rapid curing flexible adhesive, excellent at bonding to concrete, wood, metal and steel surfaces, and can be used outside as well as inside. *subject to following the instructions given by F. Ball and Co Ltd in their FLEXY FIX product technical data sheet, safety data sheet and installation guidelines, available in full from: www.f-ball.com

Made with Precision, Finished with Care

CAT Flooring Accessories, Units 24 A,B,C, Park Avenue Estate, Luton, Bedfordshire LU3 3BP, U.K.

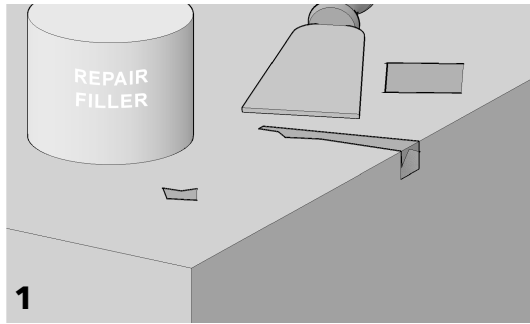
T: +44 (0) 1582 561 500

email: sales@catflooringaccessories.com

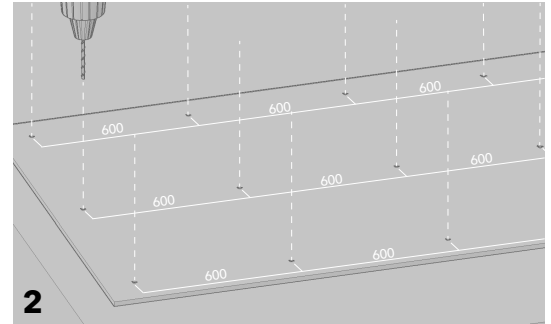
website: www.catflooringaccessories.com

Product Installation Guide

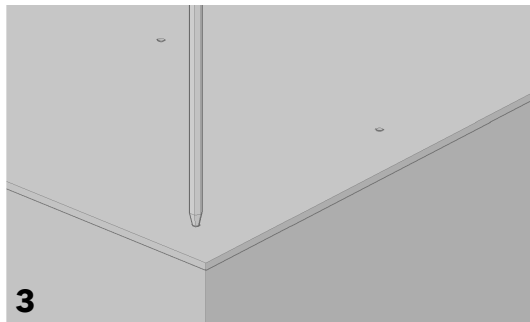
Mechanical Only Installation:



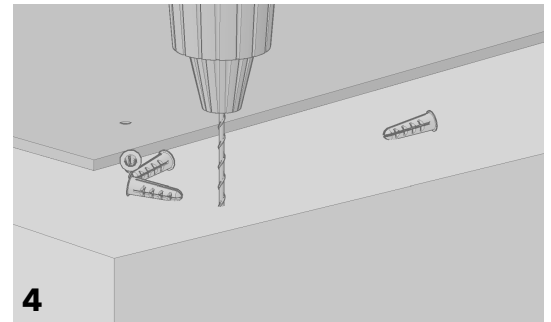
Ensure that the steps are level and in good repair. Any remedial work should be completed in advance of fixing the stair nosings and where this requires wet treatments, these must be allowed to fully cure before commencing the installation.



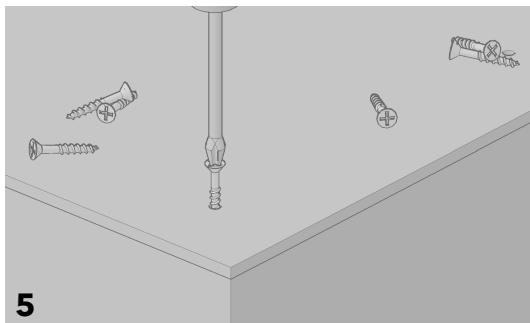
Drill holes in all 4 corners with additional holes for fixings approximately every 600mm. Holes need to be located 70mm away from the front edge and 60mm from the back edge. If holes are to be drilled on site it is recommended to use a 4mm HSS masonry drill bit from the underside.



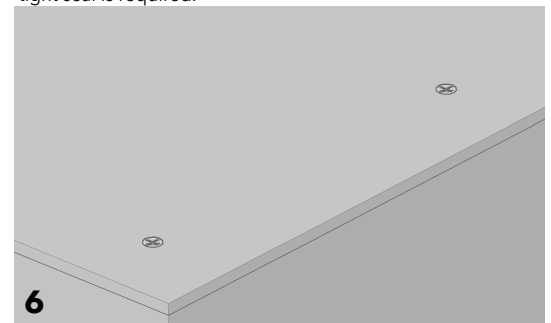
Place the GRP sheet onto the surface to mark off the position of the holes.



Drill according to the substrate, drill holes for plastic plugs in solid surfaces. Always ensure that the bolt length is slightly longer than the rawl plug length to obtain a good fixing. Put a little sealant in the hole to seal around the screws if a water tight seal is required.



Return the GRP sheet to the surface, align with the drilled holes and secure with screws.

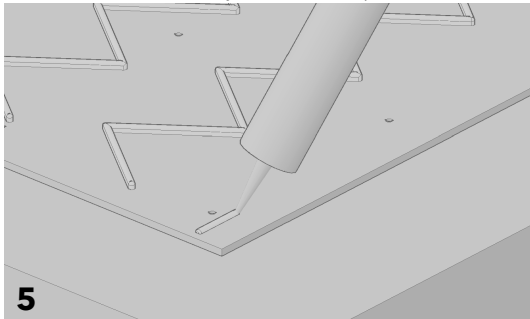


Ensure that the screw heads are flush with or below the GRP sheet surface.

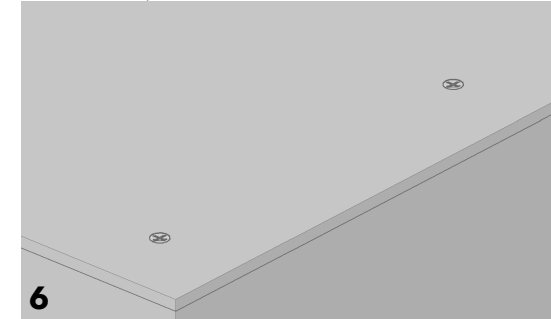
Adhesive and Mechanical Installation:

We recommend a double fixing method for installing GRP Sheet, consisting of a high strength bonding adhesive and mechanical fixing.

Start with Mechanical Only Installation Steps 1-4 instructions then continue with the steps below:



Ensure the surface onto which the GRP sheet is being installed is clean, dry and free from grease. Apply adhesive* to the underside of the GRP sheet, running 2 beads of adhesive along the length as well as zigzag across the centre.



Carefully position the GRP sheet, making sure it's aligned with the drilled holes and press firmly in to place. Secure with screws ensuring that the screw heads are flush with or below the stair nosing tread surface.

Disclaimer: These methods of installation make no claim to being comprehensive but should be used as a guide. Always employ safe practices. A risk assessment and method statement should always be prepared. If in doubt please contact our Sales Office.

For instructions of how to maintain the installed GRP stair nosings, see the maintenance guide on our website.

Made with Precision, Finished with Care

CAT Flooring Accessories, Units 24 A,B,C, Park Avenue Estate, Luton, Bedfordshire LU3 3BP, U.K.

T: +44 (0) 1582 561 500

email: sales@catflooringaccessories.com

website: www.catflooringaccessories.com