

Product Installation Guide

Product Range

KLIKS SLIM® End Stop With Expansion/Compression Feature

Product Description

Kliks Slim End Stop with Expansion Feature is an aluminium perimeter trim profile which can be installed with various base profiles which together offer a wide range of height adjustable installation combinations.

Available in Polished and Satin finishes in 2.715m lengths. Please see the latest CAT Product Catalogue for details.

There are four PVC base profiles in various sizes to provide for all floor covering types and thicknesses.

General:

Before cutting the trim, check that it is the correct profile combination for the intended flooring material being installed.

Use a sharp trimming blade when cutting the flexible silicone rubber expansion medium.

When cutting mitres in the expansion medium, insert a support into the internal void to ensure a neat, accurate cut (a timber strip, 9mm x 4mm is ideal).

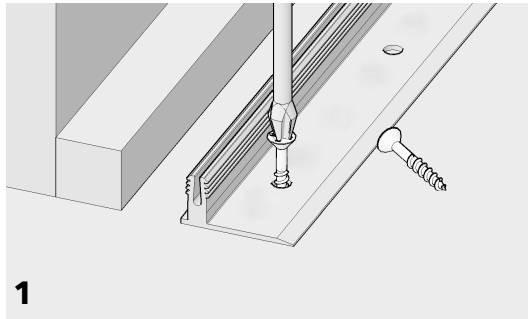
Should assistance be required in any aspect of the installation, please contact the CAT sales office prior to commencing the installation.

Installation:

Ensure that the subfloor to which the profiles are to be fixed is in good order, dry and free from dust or any other contaminants that might compromise an effective installation.

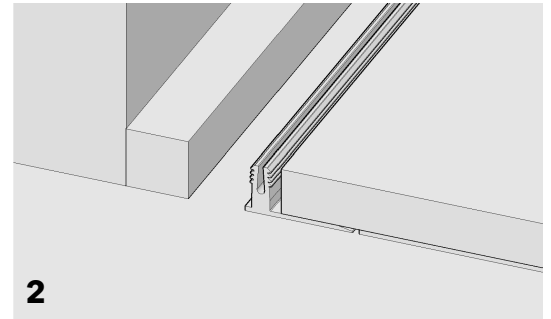
CAT recommend that base profiles are fixed using adhesive and size 6 countersunk screws.

Check to ensure that there are no water or heating pipes close to the surface of the subfloor which might get punctured by the fixing screws.



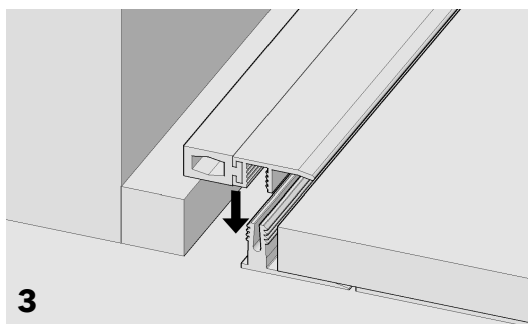
1

Base profiles are supplied drilled for adhesive and mechanical fixing. For mechanical fixing, use screw size 6 having marked the position of the holes to be drilled in the subfloor. Position the base having allowed for the required expansion/contraction against the adjoining fixture. Remove the profile and drill pilot holes if fixing to timber and holes to accommodate a plastic plug if fixing to solid substrate. Apply beads of adhesive to the underside of the profile and screw firmly to the subfloor.



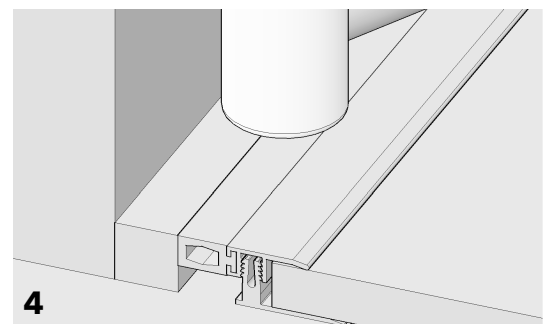
2

Fit the flooring to base profile allowing for expansion as required by the material.



3

Starting at one end of the installed base, position the top over the base profile so that the respective Kliks features align one with the other.



4

Connect the two profiles by firmly tapping down with a rubber mallet, continuing along the length of the piece until fully located to the level of the flooring material(s).

1. Top profiles are supplied with a protective tape applied to the surface. We recommend that this tape is left in place until the project is complete.
2. For long runs, stagger the joins in the top profile by 150mm over the joins in the base profile.
3. Whilst the interference fit of the Kliks feature is effective in every application, it is common place to apply small beads of adhesive along the inside of the base to prevent the top profile from 'creeping', particularly on long runs in heavy traffic areas.



CAT *recommends the use of STYCCO FLEX to fix any of its extensive range of stair nosings, stair edgings and stair insert products. STYCCO FLEX is a rapid curing flexible adhesive with excellent gap filling properties that can be used outside as well as inside. *subject to following the instructions given by F. Ball and Co Ltd in their STYCCO FLEX product technical data sheet, safety data sheet and installation guidelines, available in full from: www.f-ball.com

Made with Precision, Finished with Care

CAT Flooring Accessories, Units 24 A,B,C, Park Avenue Estate, Luton, Bedfordshire LU3 3BP, U.K.

T: +44 (0) 1582 561 500

email: sales@catflooringaccessories.com

website: www.catflooringaccessories.com