

Product Installation Guide

Product Range

LVT stair edge profiles

Product Description

Extruded aluminium and brass profiles designed to offer a neat and protective edge to LVT (Luxury Vinyl Tiles) and vinyl flooring on stairs where a traditional stair nosing is not required.

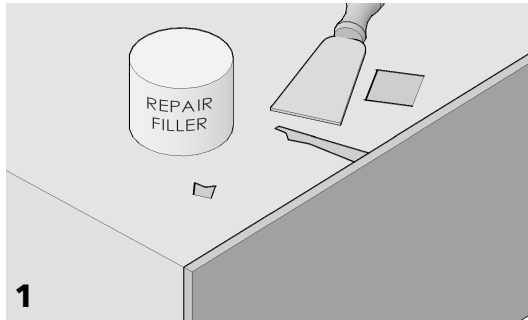
Profiles supplied cut to customer sizes or in stock lengths for cutting on site, undrilled for *adhesive fixing.

General:

The steps to which the stair nosings are to be affixed must be in good, sound order with any remedial works being completed before commencing the installation.

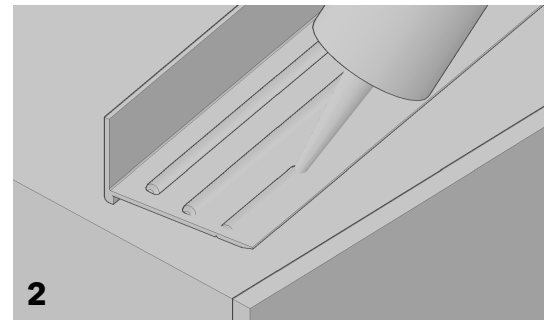
It is recommended that stair edge profiles are installed using *adhesive to achieve the most secure fixing.

Installation:



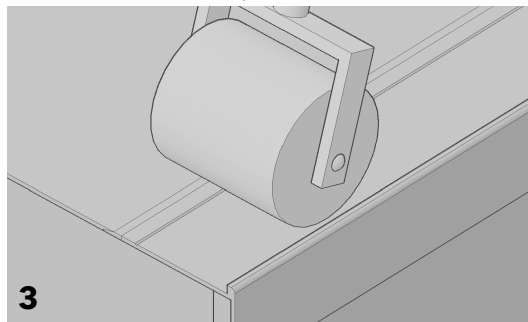
1

Ensure that the steps are level and in good repair. Any remedial work should be completed in advance of fixing the stair edge profile or any flooring and where this requires wet treatments, these must be allowed to fully cure before commencing the installation. Once this has fully cured, install flooring material (if using one) on the tread of the step(s).



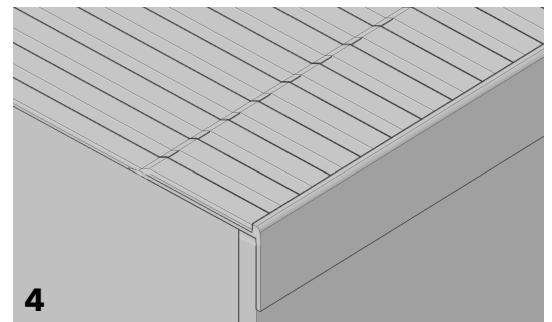
2

Ensure that the surface of the step is dust and grease free and apply three beads of adhesive to the underside of the stair edge profile.



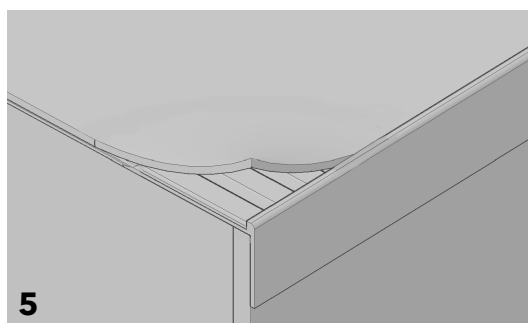
3

Carefully position the stair edge profile and press firmly in to place. Use a hand roller to ensure an even spread of adhesive and allowing for an even and effective bond.



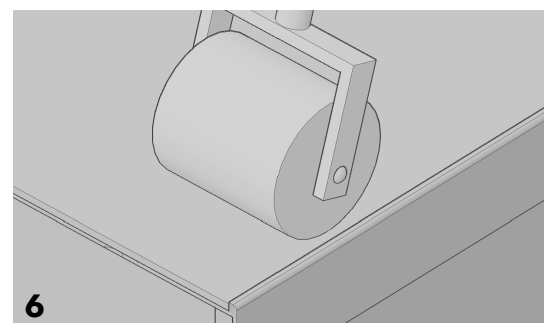
4

Apply the floor covering adhesive over the step and up to the inside top edge of the stair edge profile. Reduce the thickness of the adhesive over the base of the profile to ensure a level surface in the finished installation.



5

Trim and lay the flooring material onto the adhesive applying even pressure to ensure a level surface in the finished installation.



6

Finish with a seam roller along the stair edge profile to ensure a firm and even fix at the step edge. Remove any residual adhesive in accordance with the adhesive manufacturers recommendations.

Access to the stairs should only be permitted when the adhesive has had time to fully cure.



CAT *recommends the use of STYCCO FLEX to fix any of its extensive range of stair nosings, stair edgings and stair insert products. STYCCO FLEX is a rapid curing flexible adhesive with excellent gap filling properties that can be used outside as well as inside. *subject to following the instructions given by F. Ball and Co Ltd in their STYCCO FLEX product technical data sheet, safety data sheet and installation guidelines, available in full from: www.f-ball.com

Made with Precision, Finished with Care

CAT Flooring Accessories, Units 24 A,B,C, Park Avenue Estate, Luton, Bedfordshire LU3 3BP, U.K.

T: +44 (0) 1582 561 500

email: sales@catflooringaccessories.com

website: www.catflooringaccessories.com