

## Product Installation Guide

**Product Range**

**PTA15/8 aluminium floor edging trim**

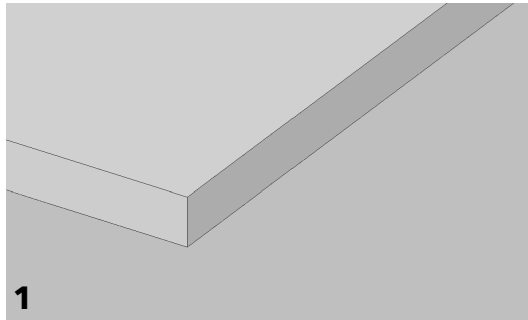
**Product Description**

PTA15/8 extruded aluminium floor edging trims are supplied undrilled for adhesive only fixing. Please note, PTA15/8 is not suitable for fixing using Stick Fix™ double-sided tape.

Available in Mill and Satin Aluminium finishes, in 3.000m lengths. Designed to protect the edge of flooring and allow for expansion when used with timber floor installations.

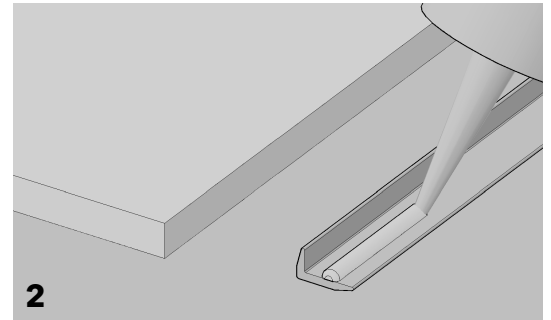
**Installation:**

Ensure that the floor edge to which the profiles are to be fixed is in good order, dry and free from dust or any other contaminant that might compromise an effective installation.



**1**

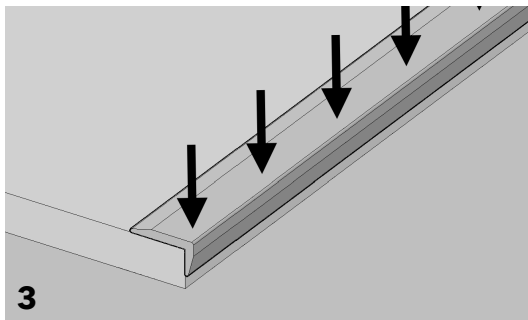
The flooring onto which the floor edging trims are to be affixed must be in good, sound order before commencing installation.



**2**

Make sure the floor covering is clean from dirt and dust.

Apply a bead of adhesive along the length of the underside of the floor edging trim.



**3**

Place the floor edging trim on the floor edge and press down firmly along the whole length of the trim and proceed back and forth with pressure until the profile is fixed firmly into place.

Profiles are supplied with a protective tape applied to the surface. We recommend that this tape is left in place until the project is complete.

**Access to the area should only be permitted when the adhesive has had time to fully cure.**



CAT \*recommends the use of STYCCO FLEX to fix any of its extensive range of floor trims, stair nosings, stair edgings and stair insert products. STYCCO FLEX is a rapid curing flexible adhesive with excellent gap filling properties that can be used outside as well as inside. \*subject to following the instructions given by F. Ball and Co Ltd in their STYCCO FLEX product technical data sheet, safety data sheet and installation guidelines, available in full from: [www.f-ball.com](http://www.f-ball.com)

**Made with Precision, Finished with Care**

CAT Flooring Accessories, Units 24 A,B,C, Park Avenue Estate, Luton, Bedfordshire LU3 3BP, U.K.

T: +44 (0) 1582 561 500

email: [sales@catflooringaccessories.com](mailto:sales@catflooringaccessories.com)

website: [www.catflooringaccessories.com](http://www.catflooringaccessories.com)