

Product Installation Guide

Product Range

PVC stair nosings with castellated tread & square back edge

Product Description

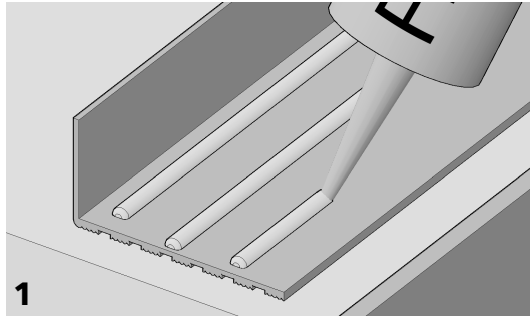
Stick-down flexible profiles suitable for light commercial and residential applications.

General:

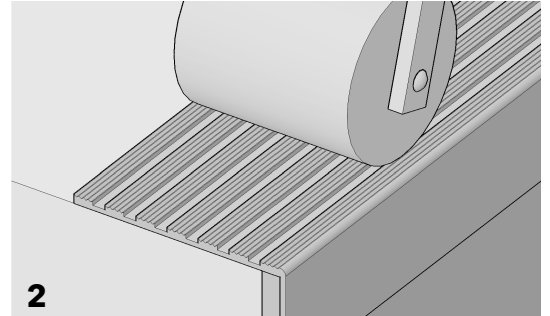
PVC stair nosings should be fitted at room temperature, not cold environments, to avoid the possibility of contraction.

Ensure that the steps are level and in good repair. Any remedial work should be completed in advance of fixing the stair nosings and where this requires wet treatments, these must be allowed to fully cure before commencing the installation.

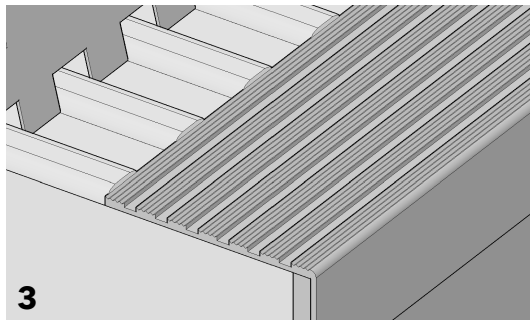
Installation:



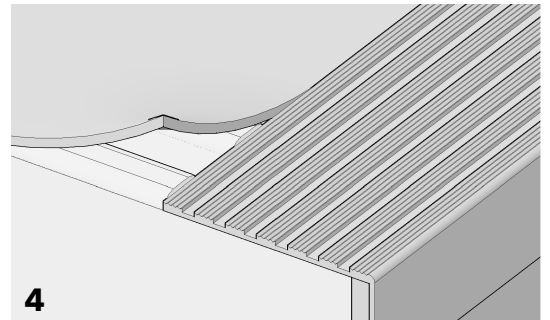
1 With the riser covering in place, apply 3 beads of *adhesive to the underside of the stair nosing before placing in position at the edge of the step.



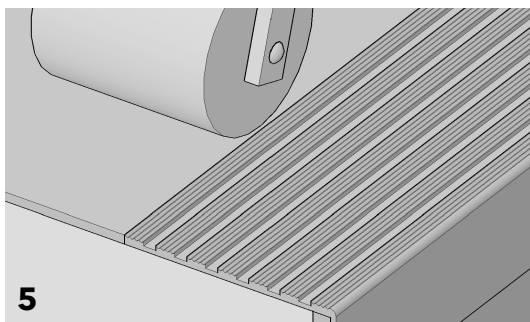
2 Press the stair nosing into place applying hand pressure to ensure its correct position and secondly a hand roller to ensure an even spread of adhesive.



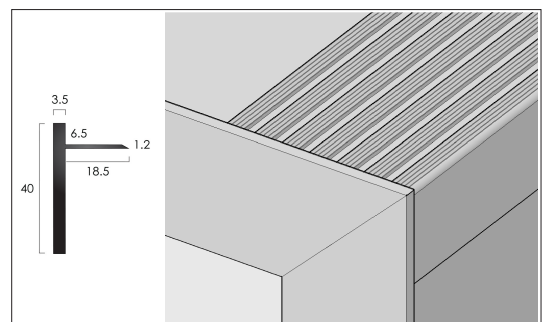
3 With the stair nosing secured, apply and spread the adhesive required to bond the floor covering. Avoid any overspill of adhesive onto the stair nosing.



4 Position the cut edge of the flooring material square to the back edge of the stair nosing applying even hand pressure to ensure accurate and even alignment.



5 Finish with a hand roller along the edge of the flooring material as it abuts to the stair nosing for an even, flush seam.



PVC Stair Nosing profiles can be installed with ST40 PVC Staircase Stringer Trim to mask the cut edge of the stair nosings.

Access to the stairs should only be permitted when the adhesive has had time to fully cure.



CAT *recommends the use of STYCCO FLEX to fix any of its extensive range of stair nosings, stair edgings and stair insert products. STYCCO FLEX is a rapid curing flexible adhesive with excellent gap filling properties that can be used outside as well as inside. *subject to following the instructions given by F. Ball and Co Ltd in their STYCCO FLEX product technical data sheet, safety data sheet and installation guidelines, available in full from: www.f-ball.com

Made with Precision, Finished with Care

CAT Flooring Accessories, Units 24 A,B,C, Park Avenue Estate, Luton, Bedfordshire LU3 3BP, U.K.

T: +44 (0) 1582 561 500

email: sales@catflooringaccessories.com

website: www.catflooringaccessories.com