

Product Installation Guide

Product Range

Perimeter Trims with Stick Fix applied to the outer face (OSF)

Product Description

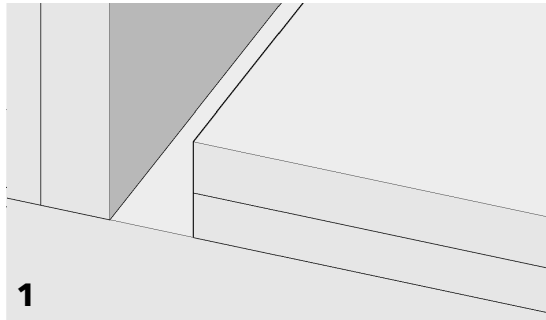
Aluminium, brass, stainless steel and uPVC profiles designed to enhance the appearance of the floor and to allow for expansion of timber floor installations. Suitable for timber and stone floors.

15mm wide profiles (PTA 15/15 OSF, PTP 15/15 OSF, PTS 15/15 OSF) will allow up to 12mm expansion.
 20mm wide profiles (BA 20/10 OSF, SA 20/12 OSF) will allow up to 18mm of expansion.
 25mm wide profiles (PTA 25/15 OSF, PTP 25/15 OSF, BA OSF, SA OSF) will allow up to 23mm of expansion.
 30mm wide profile (BA 30/15 OSF) will allow up to 25mm expansion.
 37.5mm wide profile (BME OSF, SME OSF) will allow up to 34.5mm of expansion.

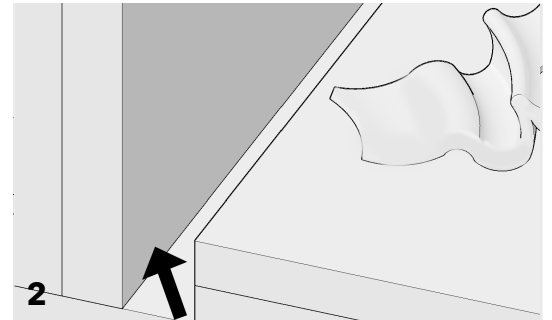
General

Supplied with Stick-Fix tape pre-applied to the external face of the vertical for rapid installation with need for mechanical fixings, therefore removing the risk of damaging underground cables and pipes.

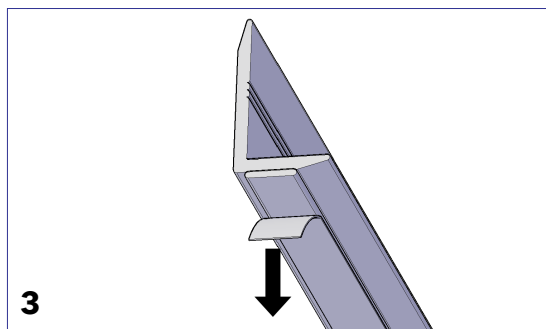
Installation:



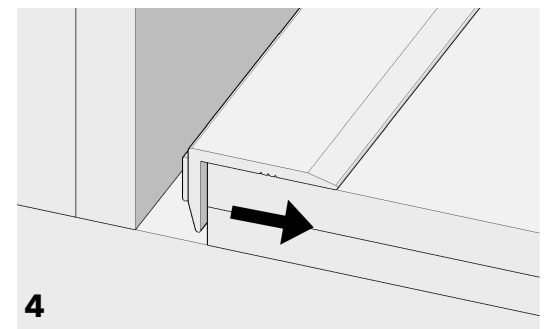
Lay the flooring with the allowance for expansion (where applicable) as recommended by the flooring material supplier/manufacturer.



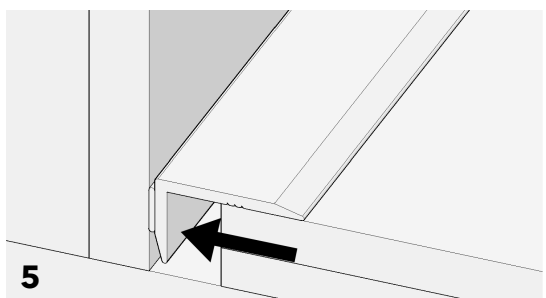
Ensure that the wall/vertical surface to which the perimeter trim is to be affixed is clean and free from dust, grease and any other contaminant that may prevent Stick-Fix self adhesive tape from achieving an effective bond.



Peel off the protective paper cover to expose the Stick-Fix double sided tape on the external face of the perimeter trim. Take care to avoid dust or other particles setting onto the adhesive tape.



To prevent the Stick-Fix adhesive from accidentally coming into contact with the wall before final positioning, place the perimeter trim onto the flooring with the inside face of the vertical hard against the flooring edge.



When the entire length of the perimeter trim has been fully positioned over the front over the front edge of the flooring, start at one end and begin to slide the trim forward, pressing the Stick-Fix firmly against the wall.

Made with Precision, Finished with Care