

Product Installation Guide

Product Range

SSNF stainless steel naplock profile

Product Description

Stainless steel single naplock profile available in 2.000m lengths, in two finishes to suit all installations. Designed to protect the nap edge of the carpet when installed with resilient floorings.

Supplied with a drilled base for mechanical fixing using size 6 screws.

General:

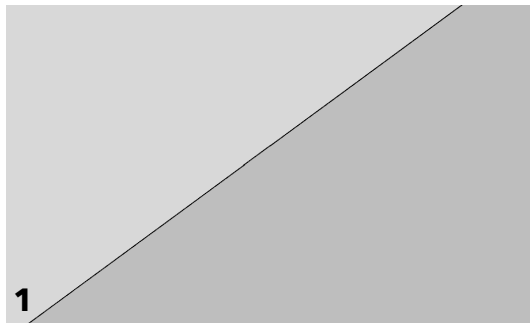
Should assistance be required in confirming that the chosen profile is correct for the particular application or for advice on any other aspect of the installation, please contact the CAT sales office prior to commencing the installation.

SSNF is also available for use as a capping profile, where traditional floor coverings are not preferred. See the separate installation guide for capping profile use.

Installation:

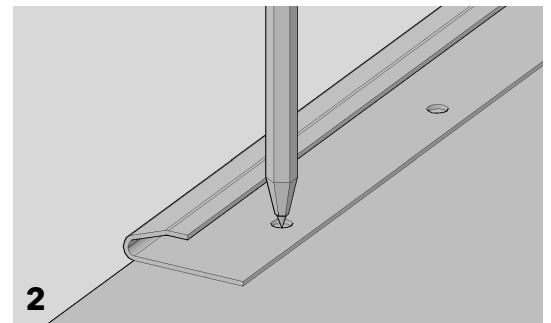
Ensure that the subfloor to which the profiles are to be fixed is in good order, dry and free from dust or any other contaminant that might compromise an effective installation.

Always check to ensure that there are no water or heating pipes close to the surface of the subfloor which might be punctured by the fixing screws.

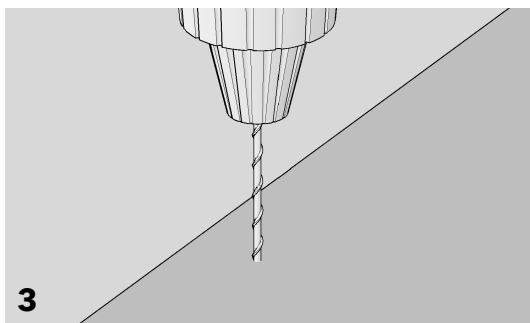


The flooring onto which the profiles are to be affixed must be in good, sound order before commencing installation.

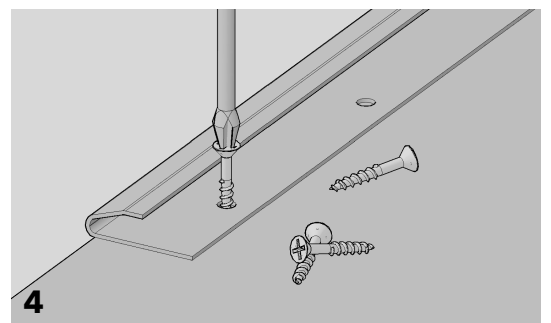
Fit the resilient floor covering on one side of the profile.



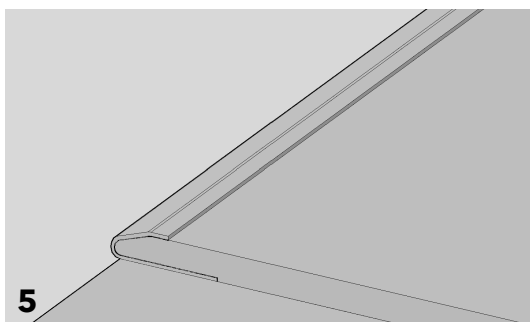
Our profiles are supplied pre-drilled. Use the drill holes to mark the positions to be drilled in the subfloor.



Remove the profile and drill pilot holes if fixing to timber and holes to accommodate a plastic plug if fixing to solid substrate.



Reposition the profile over the pre-drilled holes and firmly secure with size 6 screws.



Fit the carpet or carpet tile according to manufacturer's instructions to finish the installation.

Profiles are supplied with a protective tape applied to the surface. We recommend that this tape is left in place until the project is complete.

Made with Precision, Finished with Care