

Product Installation Guide

Product Range

Stair tread insert strips & discs

Product Description

Designed to provide definition and slip-resistance on steps where a traditional stair nosing is not required.

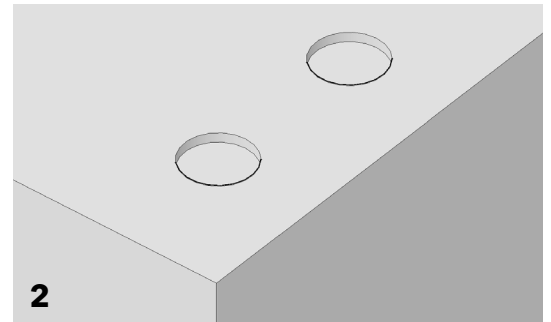
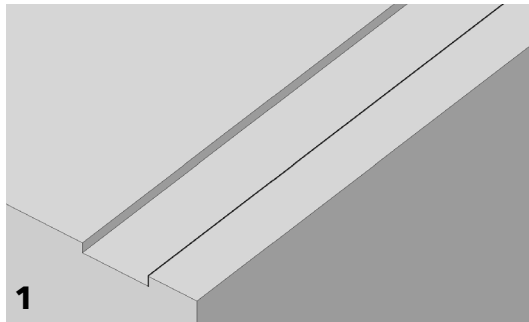
Highly slip resistant profiles are available in aluminium, brass, uPVC and aluminium oxide in a range of finishes to suit all projects. These profiles are suitable for rebating into the stair tread surface and to suit all types of substrate.

General:

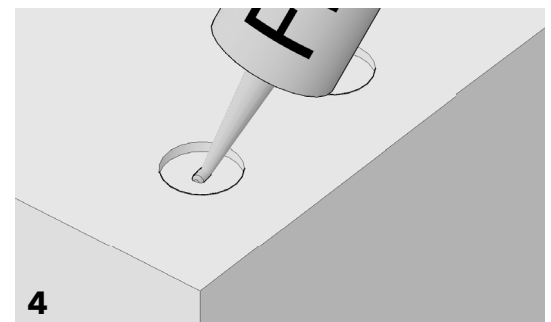
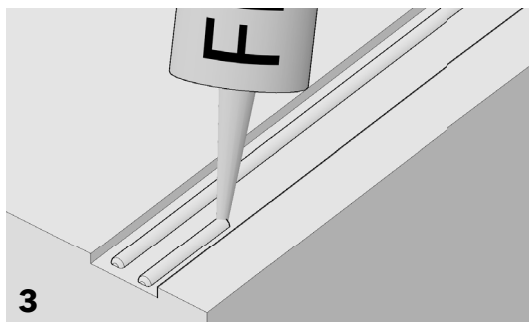
Except where indicated otherwise in the CAT Product Catalogue, all inserts strips, discs and plates are supplied undrilled for *adhesive fixing.

It is recommended that a sample is always requested for approval prior to rebating for the finished profile or disc as dimensions may vary.
For further advice, contact the CAT sales office.

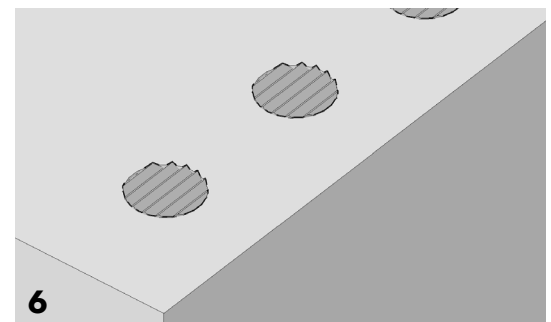
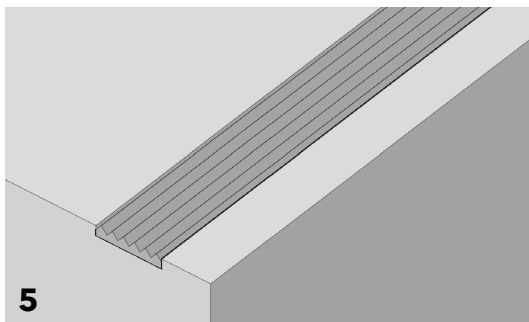
Installation:



Pre-form a rebate in the tread to suit the chosen profile (1) or disc (2), making a tolerance allowance for any small variation in the sizes and to accommodate the fixing adhesive.



Ensure that the rebate is dust and grease free before applying the adhesive to fix the chosen profile (3) or disc (4). Care should be taken to apply sufficient adhesive to create an effective bond but not cause excess oozing on to the tread surface.



Position the profile (5) or disc (6) into the rebate and gently press down into the adhesive. If any excess adhesive oozes to the surface, it should be immediately removed.

Strips and discs should sit 0.5-1mm proud of the step surface when installed.

Access to the stairs should only be permitted when the adhesive has had time to fully cure.



CAT *recommends the use of STYCCO FLEX to fix any of its extensive range of stair nosings, stair edgings and stair insert products. STYCCO FLEX is a rapid curing flexible adhesive with excellent gap filling properties that can be used outside as well as inside. *subject to following the instructions given by F. Ball and Co Ltd in their STYCCO FLEX product technical data sheet, safety data sheet and installation guidelines, available in full from: www.f-ball.com

Made with Precision, Finished with Care

CAT Flooring Accessories Units 24 A,B,C, Park Avenue Estate, Luton, Bedfordshire LU3 3BP, U.K.

T: +44 (0) 1582 561 500

email: sales@catflooringaccessories.com

website: www.catflooringaccessories.com