

Product Installation Guide

Product Range

Aluminium and brass stair tread inserts with ATI49.5 or BTI49.5 insert

Product Description

Extruded Aluminium and Brass profiles are available with either ATI49.5 (aluminium) or BTI49.5 (brass) insert to conceal fixings.

Profiles are supplied either cut to customer-specified lengths or in stock lengths for on-site cutting, and come pre-drilled and countersunk for size 8 screws.

General:

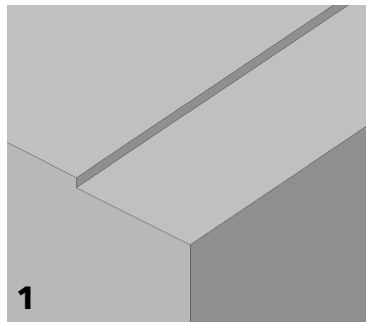
For optimal performance and to prevent movement or 'rattle', it is recommended that stair tread inserts be installed using STYCCO FLEX adhesive in conjunction with screws.

A sample should always be requested for approval prior to rebating for the finished profile or disc, as dimensions may vary slightly.

Ensure that all steps are level and in sound condition. Any necessary remedial work should be completed before installation. Where wet treatments are involved, allow full curing before proceeding.

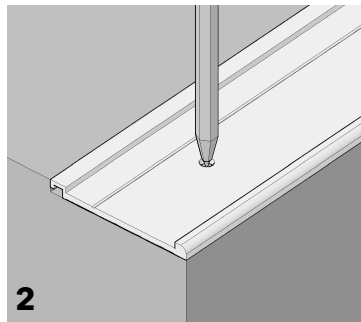
For further guidance, please contact the CAT Sales Office.

Installation:



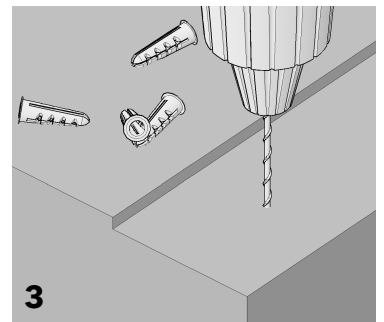
1

Prepare a rebate in the stair tread to accommodate the selected profile, allowing sufficient tolerance for minor dimensional variation and the inclusion of adhesive.



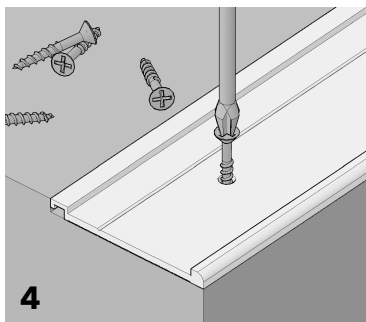
2

The ATI49.5 or BTI49.5 Insert is supplied loose-laid in the channel of the stair nosing profile. Carefully remove it and set it aside on a flat surface, taking care not to bend or otherwise distort it. Place the stair tread insert profile onto the step to mark off the position of the holes.



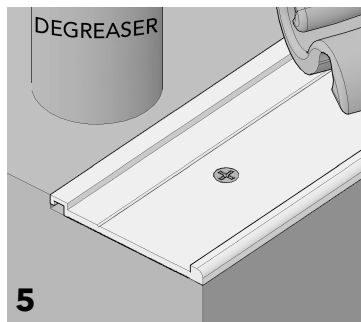
3

Drill the fixing holes in accordance with the substrate type. For timber, use pilot holes. For solid surfaces, install appropriate plastic plugs to provide a secure fixing.



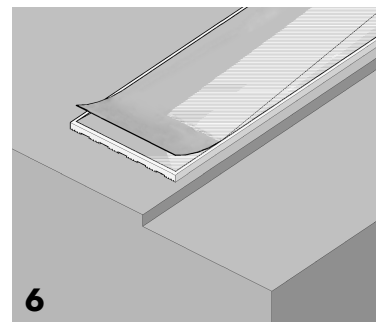
4

Fix the profile securely using suitable screws, ensuring that screw heads are flush with, or marginally below, the countersunk recesses. This will ensure a smooth finish and prevent movement or rattle in use.



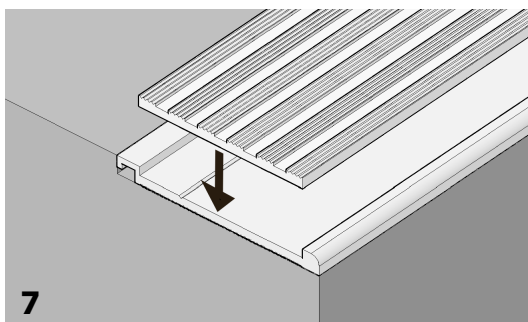
5

Clean the channel of the installed profile thoroughly using a suitable degreasing agent. All moisture, dust, and vapour must be completely removed before proceeding, as contamination can impair adhesion and compromise performance.



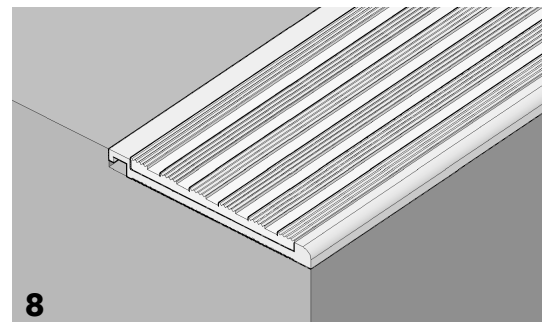
6

Handling carefully so as not to bend or otherwise distort the ATI49.5 or BTI49.5 insert, remove the protective backing paper from the adhesive tape on the underside.



7

Position the ATI49.5 or BTI49.5 Insert over the channel and press into place without bending or distorting it.



8

Finish with a seam roller to ensure complete contact along the entire length of the now joined pieces.



Access to the stairs should only be permitted when the adhesive has had time to fully cure.

CAT *recommends the use of STYCCO FLEX to fix any of its extensive range of stair nosings, stair edgings and stair insert products. STYCCO FLEX is a rapid curing flexible adhesive with excellent gap filling properties that can be used outside as well as inside.

*subject to following the instructions given by F. Ball and Co Ltd in their STYCCO FLEX product technical data sheet, safety data sheet and installation guidelines, available in full from: www.f-ball.com

Made with Precision, Finished with Care

CAT Flooring Accessories, Units 24 A,B,C, Park Avenue Estate, Luton, Bedfordshire LU3 3BP, U.K.

T: +44 (0) 1582 561 500

email: sales@catflooringaccessories.com

website: www.catflooringaccessories.com