

Product Installation Guide

Product Range

Step edge profiles for step edges with no foot traffic

Product Description

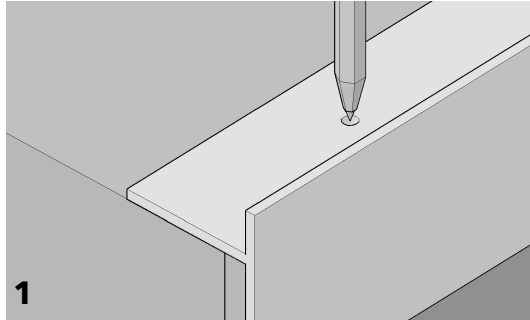
Extruded aluminium and brass/stainless steel cover profiles supplied drilled for mechanical fixing using size 8 screws.

Designed to mask the cut edge of stair nosings and floor coverings. As well as a trim detail for landings and areas where there is no foot traffic to the leading edge.

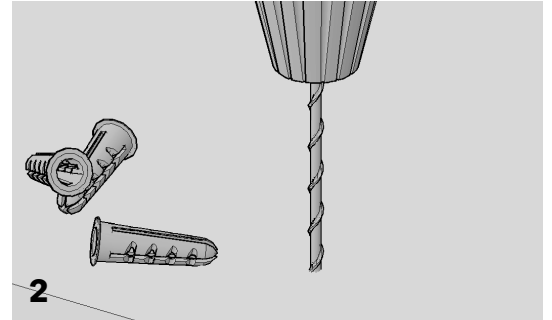
General:

Ensure that the steps are level and in good repair. Any remedial work should be completed in advance of fixing the stair nosings and where this requires wet treatments, these must be allowed to fully cure before commencing the installation.

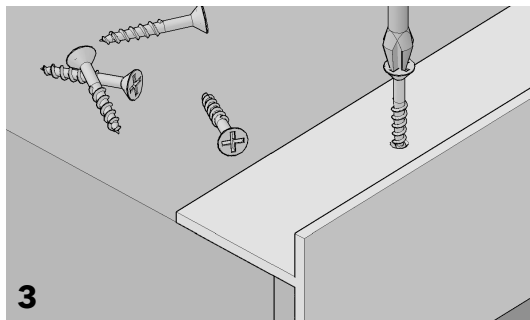
Installation:



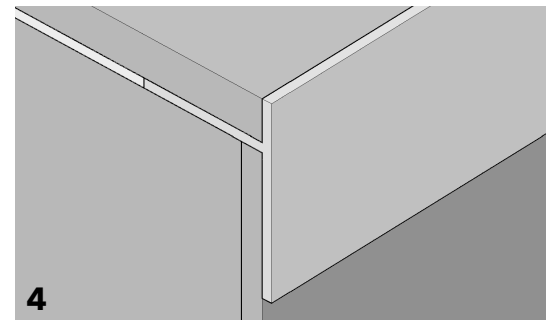
1
Fit the riser covering (where applicable) before placing the step edge profile onto the step to mark off the position of the holes.



2
Drill according to the substrate: pilot holes in timber, holes for plastic plugs in solid surfaces.



3
Return the step edge profile to the step edge, align with the drilled holes and secure with screws. Ensure that the screw heads are flush with or below the aluminium surface.



4
Fit the tread floor covering to finish the installation.

Made with Precision, Finished with Care