

Product Installation Guide

Product Range

Product Description

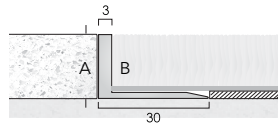
TAGTRIM® formable angles

Aluminium, Brass & Stainless Steel profiles with a tagged base, suitable for mechanical and/or adhesive fixing. Suitable for Timber, Stone & Ceramic and other hard floor coverings at the same level.

Aluminium, Brass and Stainless Steel Tag Trim formable angles are available in various finishes. Always check the suitability of the chosen profile on our website or by contacting our sales team.

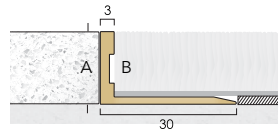
Please choose the correct profile height to suit the application:

Aluminium Tag Trim Formable Angles



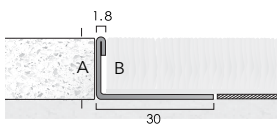
Product Code	A	B
TTA4.5	4.5	3
TTA6.5	6.5	5
TTA9	9	7.5
TTA13	13	11.5
TTA16	16	14.5
TTA19	19	17.5
TTA22.5	22.5	21
TTA25	25	23.5

Brass Tag Trim Formable Angles



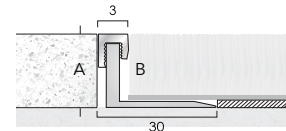
Product Code	A	B
TTB4.5	4.5	3.3
TTB6.5	6.5	5.3
TTB9	9	7.8
TTB13	13	11.8
TTB16	16	14.8
TTB19	19	17.8
TTB22.5	22.5	21.3
TTB25	25	23.8

Stainless Steel Tag Trim Formable Angles



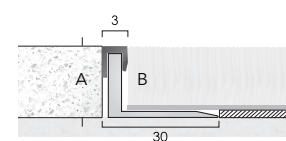
Product Code	A	B
TTS6.5	6.5	5.8
TTS9	9	8.1
TTS12	12	11.1
TTS16	16	15.1
TTS19	19	18.1
TTS22	22	21.1
TTS25	25	24.1

Mainline TTA Aluminium Tag Trim Formable Angles



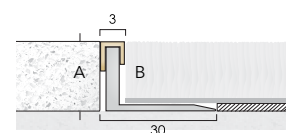
Product Code	A	B
Mainline TTA9	9	7.5
Mainline TTA11.5	11.5	10
Mainline TTA15.5	15.5	14
Mainline TTA18.5	18.5	17
Mainline TTA21.5	21.5	20
Mainline TTA25	25	23.5
Mainline TTA27.5	27.5	26

Mainline TTP uPVC Cap Tag Trim Formable Angles



Product Code	A	B
Mainline TTP8.8	8.8	7.3
Mainline TTP11.3	11.3	9.8
Mainline TTP15.3	15.3	13.8
Mainline TTP18.3	18.3	16.8
Mainline TTP21.3	21.3	19.8
Mainline TTP24.8	24.8	23.3
Mainline TTP27.3	27.3	25.8

TTB6 Brass Cap Tag Trim Formable Angles



Product Code	A	B
B67.5	7.5	6
B610	10	8.5
B614	14	12.5
B617	17	15.5
B620	20	18.5
B623.5	23.5	22
B626	26	24.5

Please choose the correct profile for the radius you want to achieve. Minimum curving radii (in mm) are denoted by the symbol below.

Aluminium



Brass



Stainless Steel



Mainline TTA



Mainline TTP



TTB6



Made with Precision, Finished with Care

CAT Flooring Accessories, Units 24 A,B,C, Park Avenue Estate, Luton, Bedfordshire LU3 3BP, U.K.

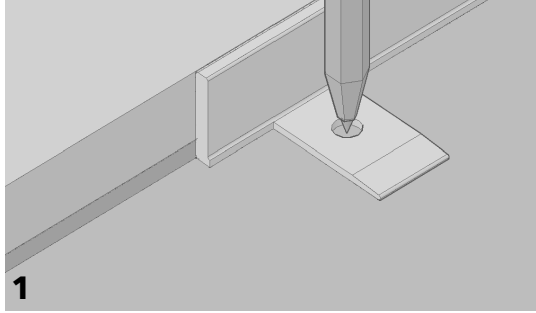
T: +44 (0) 1582 561 500

email: sales@catflooringaccessories.com

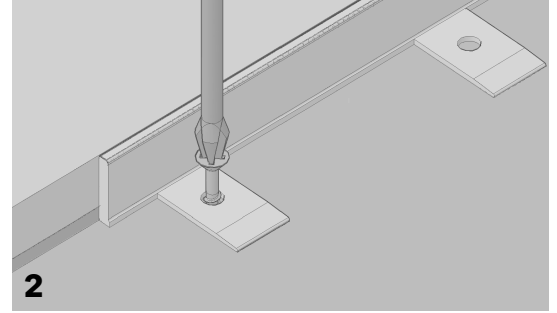
website: www.catflooringaccessories.com

Product Installation Guide

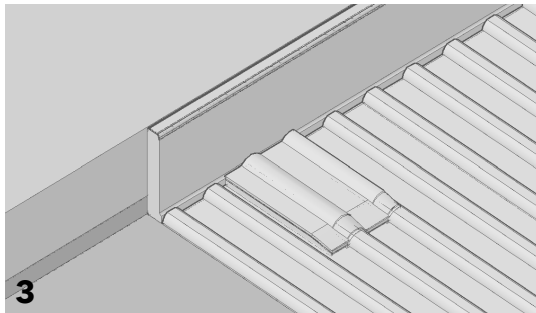
Installation



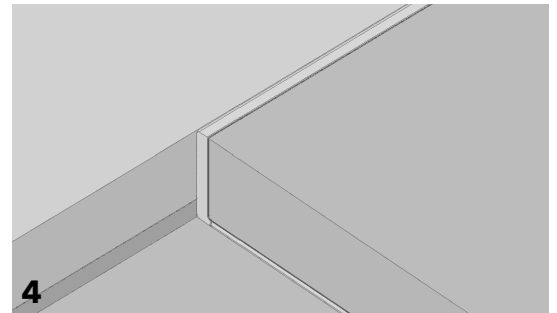
Install the flooring against which the formable angle will be fitted. Using a notched trowel, spread the tile adhesive evenly over the area where the angle is to be positioned. When mechanically fixing the profile to the sub-floor, mark the position of the holes and drill according to the substrate (holes to suit plugs and screws in solid substrates or pilot holes in timber).



Position the formable angle against the flooring previously installed and bed the profile firmly into the adhesive. If mechanical fixing, secure using size 6 screws. Ensure that the screw heads are flush with or below the flooring profile's surface.



Cover the tagged base of the installed profile with additional tile adhesive.



Begin laying the flooring leaving a gap for grouting between the profile and the tile.

Any grout should be removed from the surface of the profile immediately.

Made with Precision, Finished with Care

CAT Flooring Accessories, Units 24 A,B,C, Park Avenue Estate, Luton, Bedfordshire LU3 3BP, U.K.

T: +44 (0) 1582 561 500

email: sales@catflooringaccessories.com

website: www.catflooringaccessories.com