

Product Installation Guide

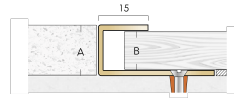
Product Range

TIMBERLINE® profiles

Product Description

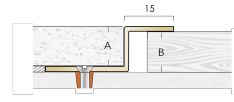
Brass, Aluminium or Stainless Steel profiles designed to allow for expansion with timber floor installations and to protect the edges of the flooring. Suitable for timber to timber and for timber to ceramics/stone installations. Timberline profiles can either be mechanically fixed to the substrate or by Stick Fix where ceramics or stone abut to timber. Available in two profile types and in three heights. Please choose the correct profile to suit the application:

Timberline '1' Type



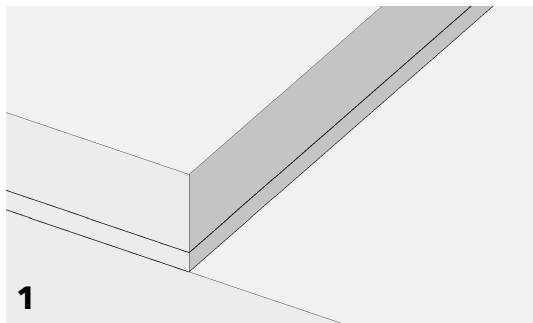
A - External	B - Internal
15.0	12.0
18.0	15.0
25.0	22.0

Timberline '2' Type



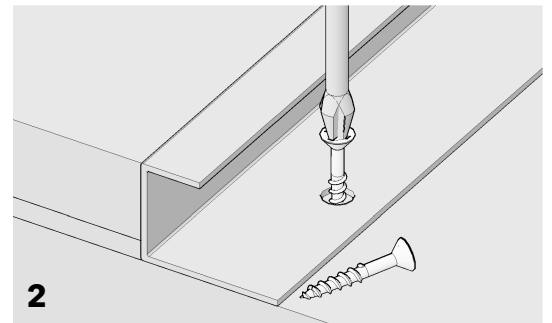
A - External	B - Internal
12.0	12.0
15.0	15.0
22.0	22.0

Installation:



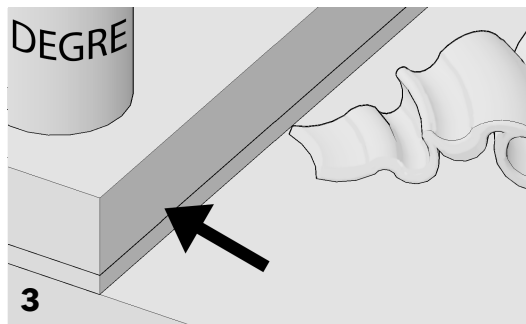
1

Install the flooring that is to remain fixed to the sub-floor. Leave clean surfaces making the side of the flooring where the Timberline is to be installed.



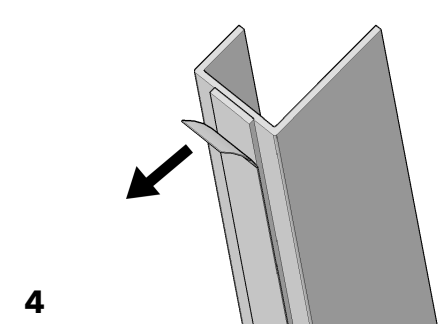
2

When mechanically fixing the profile to the sub-floor, mark the position of the holes and drill according to the substrate (holes to suit plugs and screws in solid substrates or pilot holes in timber).



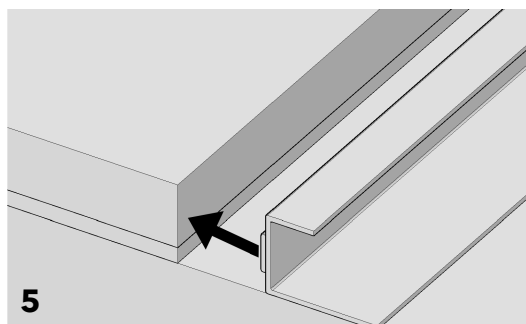
3

When installing the profile using Stick Fix, thoroughly degrease the edge of the installed flooring to which the profile is to be affixed.



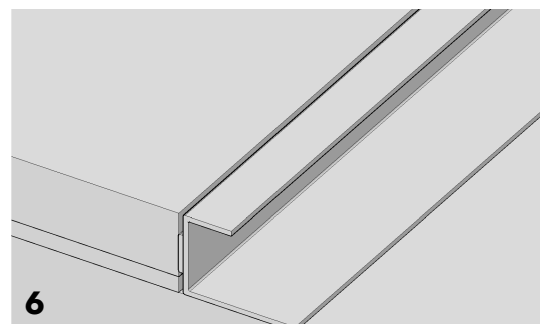
4

Remove the protective paper covering from the Stick Fix tape taking care to prevent contaminants from attaching to the adhesive surface.



5

Position the profile with the Stick Fix facing the edge of the installed flooring and slide into place. Press firmly along the length to ensure complete contact.



6

With the profile affixed, slide the timber flooring into position leaving a sufficient gap to allow for the required expansion.

Access to the stairs should only be permitted when the adhesive has had time to fully cure.



CAT *recommends the use of STYCCO FLEX to fix any of its extensive range of stair nosings, stair edgings and stair insert products. STYCCO FLEX is a rapid curing flexible adhesive with excellent gap filling properties that can be used outside as well as inside. *subject to following the instructions given by F. Ball and Co Ltd in their STYCCO FLEX product technical data sheet, safety data sheet and installation guidelines, available in full from: www.f-ball.com

Made with Precision, Finished with Care

CAT Flooring Accessories, Units 24 A,B,C, Park Avenue Estate, Luton, Bedfordshire LU3 3BP, U.K.

T: +44 (0) 1582 561 500

email: sales@catflooringaccessories.com

website: www.catflooringaccessories.com