

Product Installation Guide

Product Range

Wide transition plates with mechanical fixing

Product Description

Aluminium, brass, and stainless steel wide transition plates are available in widths of 75mm and 100mm, with a range of finishes to suit all installation types. For details on available finishes and lengths, please refer to our website and latest catalogue.

Supplied off-centre drilled as standard, these plates can also be provided centre-drilled or undrilled upon request.

General:

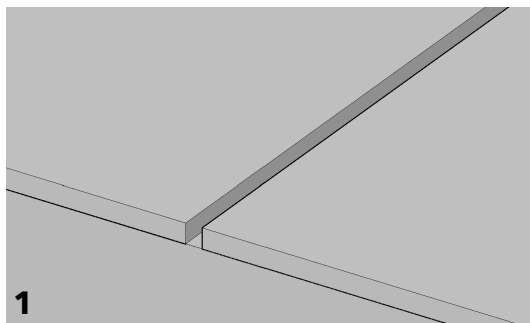
Should assistance be required in confirming that the chosen profile is correct for the particular application or for advice on any other aspect of the installation, please contact the CAT sales office prior to commencing the installation.

Installation:

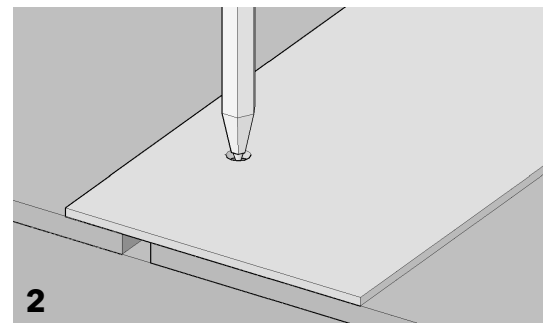
Ensure that the subfloor, to which the profiles are to be fixed, is in good order, dry and free from dust or any other contaminants that may compromise an effective installation.

CAT transition plates are suitable to be installed using size 8 screws.

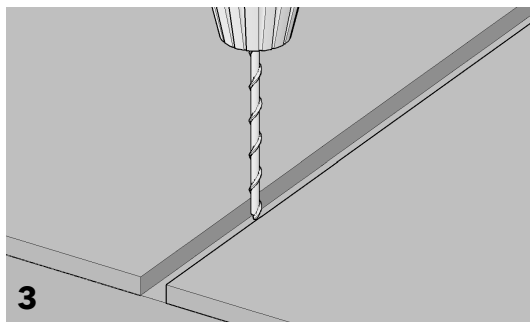
Always ensure there are no water or heating pipes near the subfloor surface that could be punctured during installation.



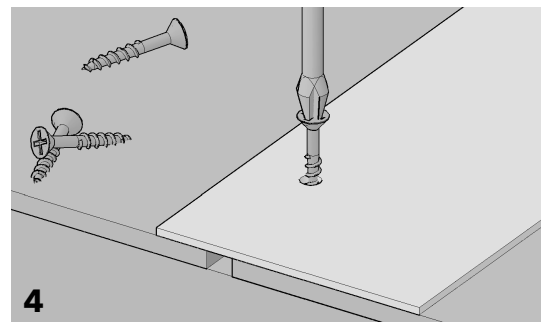
The floor surface where the transition plates will be installed must be clean, level, and structurally sound prior to installation.



Our transition plates are pre-drilled 50mm from each end and at 250mm centers thereafter. Use these holes to mark the drilling positions on the subfloor.



Remove the cover plate and drill pilot holes if fixing to timber, or drill holes suitable for plastic plugs when fixing to a solid substrate.



Reposition the transition plate profile over the pre-drilled holes and firmly secure with size 8 screws.

Profiles are supplied with a protective tape applied to the surface. We recommend that this tape is left in place until the project is complete.

Made with Precision, Finished with Care

CAT Flooring Accessories, Units 24 A,B,C, Park Avenue Estate, Luton, Bedfordshire LU3 3BP, U.K.

T: +44 (0) 1582 561 500

email: sales@catflooringaccessories.com

website: www.catflooringaccessories.com