

CAT | FLOORING  
ACCESSORIES

## The Akeman Collection™ Stair Rods & Fixing Eyes



## Stair Rods & Eyes - THE AKEMAN COLLECTION®

### Measuring and Installation - Carpet Runners

#### Measuring For Rods With Standard Finials

For rods with (standard) turned finials, measure the full width of the runner and add a minimum of 100mm for 10mm, 12.5mm and 16mm rods.

For 19mm rods, an additional 150mm is desirable, taking into account the width of the staircase available.

#### Measuring For Rods With Large Finials

For 12.5mm and 16mm rods with large finials, an additional 150mm is desirable, considering the width of the staircase available.

#### Measuring For Triangular Rods

For rods with welded finials, measure the full width of the carpet runner and add a minimum of 150mm having considered the width of the staircase available.

For triangular stair rods with plain ends, an additional 100mm will suffice.

For further information, please contact our sales team, who will be happy to provide technical advice and assistance on measuring rods and eyes.

For information on taking a template for bespoke stair rod fabrications, page 258.

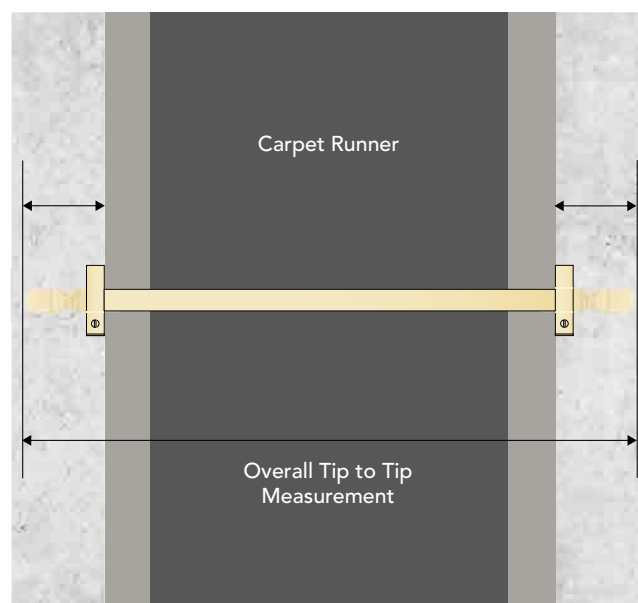
#### Measuring Example (for reference only):

##### Example 1: Rods with turned finials

If the carpet runner is 686mm (27"), the overall rod size required tip to tip is 786mm minimum.

##### Example 2: Rods with large finials and triangular rods with welded finials

If the carpet runner is 686mm (27"), the overall rod size required tip to tip is 836mm minimum.



### Installation

Fix eyes into the tread riser directly alongside the edge of the carpet runner, leaving a gap of approximately 3mm (1/8").

For concrete stairs, use rawl plugs with screw fixings.

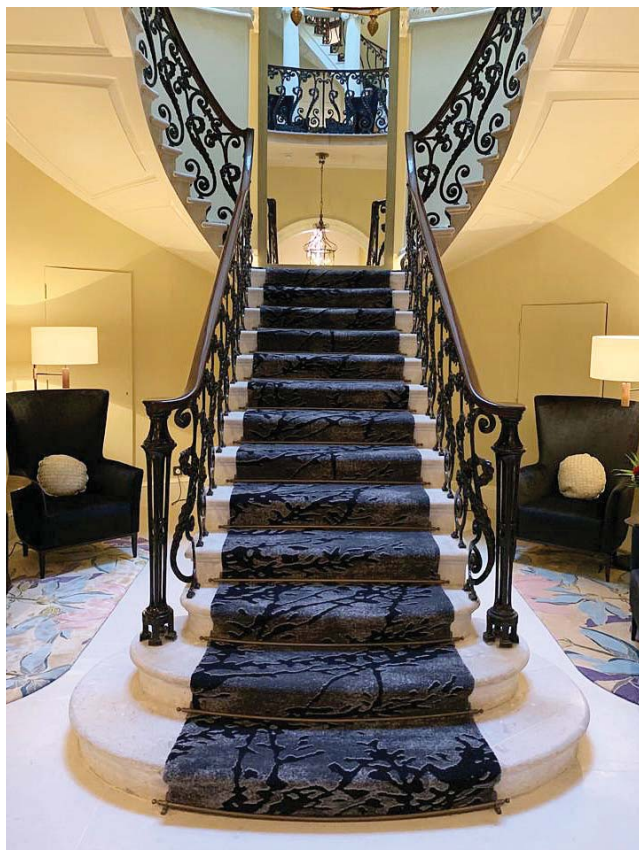
When fixing to timber stairs, screw directly into the tread and riser. Note: if the wood is particularly hard, pilot drilling may be required before fixing with screws.

Stair rods are for aesthetic purposes only. Always use wooden grippers to fully secure the carpet on stairs.



A full installation guide is available to download from our website.

[Scan to download our installation guide.](#)



## Stair Rods & Eyes - THE AKEMAN COLLECTION®

### Special Finishes

Since 1997, CAT has offered special finishes on stair rods and eyes, which have been warmly received by designers and the flooring industry alike.

Whether you're seeking a fresh modern look or a classic aged effect, our brass stair rods come in a variety of finishes to complement any interior design. Please consult our sales office to confirm the suitability of finishes for your chosen rods and installation.

### Chrome and Nickel

For superb contemporary effects.



Bright Nickel



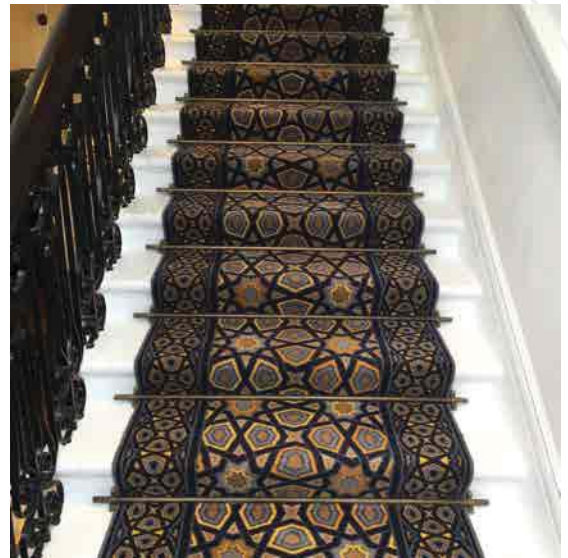
Bright Chrome



Satin Nickel



Satin Chrome



### Antique Finishes

Antique finishes are applied and distressed by hand to brass rods and eyes creating an aged effect. This hand finishing process produces a variance from batch to batch.



Antique Bronze



Antique Brass



### Satin and Polished Finishes

Satin and polished finishes are applied and distressed by hand to brass rods and eyes.



Polished Brass



Satin Brass



### Important Note:

Finish images are subject to print interpretation. Samples of finishes are available upon request.

### Finishes Available On Rods

Finish/Rods	Satin Brass	Polished Brass	Antique Brass	Antique Bronze	Bright Chrome	Satin Chrome	Bright Nickel	Satin Nickel
10mm	✓	✓	✓	✓	✓	✓		
12.5mm	✓	✓	✓	✓	✓	✓	✓	✓
16mm	✓	✓	✓	✓	✓	✓		
19mm	✓	✓	✓	✓	✓	✓		
Triangular	✓	✓	✓	✓	✓	✓		



Samples Available

## Stair Rods & Eyes - THE AKEMAN COLLECTION®

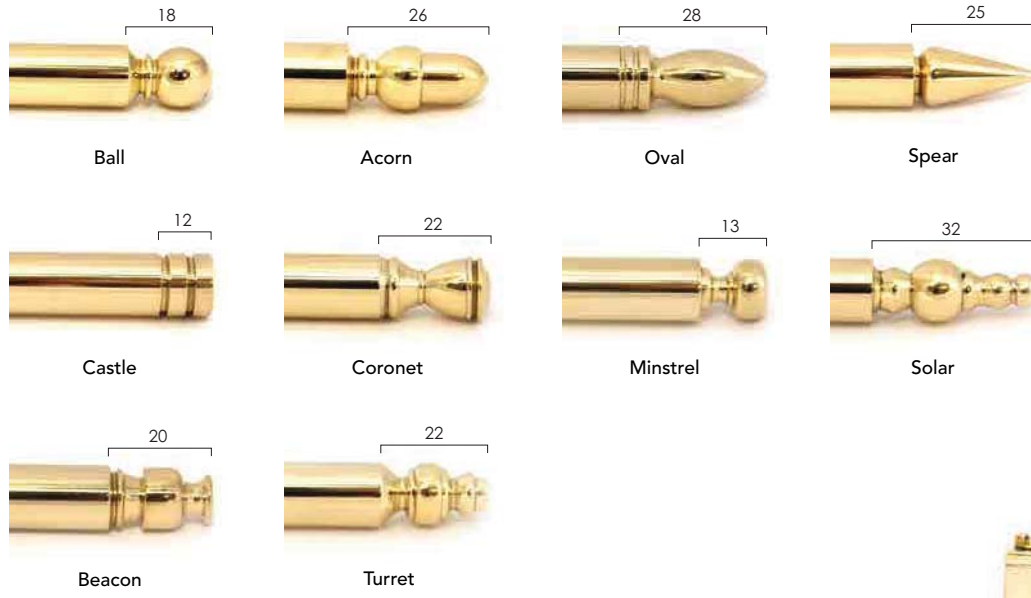
### Finials

#### Solid Brass Rods With Turned Finials

Rods are produced cut to customer sizes and machine turned with choice of finial. Supplied with two hinged fixing eyes per rod.

#### Choice of Finials

(finial dimensions are for 12.5mm rods)



Hinged Fixing Eye

#### Solid Brass Rods With Large Finials

Choose large finials for impact and effect. These large finials look particularly effective when fitted into 12.5mm diameter rods. Supplied with two hinged eyes per rod.

#### Choice of Large Finials

Suitable for 12.5mm and 16mm rods.



#### Finial Availability On Rod Diameters

Finish	10mm	12.5mm	16mm	19mm
Ball	✓	✓	✓	✓
Acorn	✓	✓	✓	✓
Castle	✓	✓	✓	
Coronet		✓		
Minstrel		✓		
Oval		✓		
Spear		✓		
Solar		✓		
Beacon		✓		
Turret		✓		
Large Ball		✓	✓	
Large Acorn		✓	✓	
Pineapple		✓	✓	
Paris		✓	✓	
Manhattan		✓	✓	
Jester		✓	✓	

## Stair Rods & Eyes - THE AKEMAN COLLECTION®

### Finials

#### Triangular Brass Stair Rods

Triangular rods are crafted from solid brass and feature a 22mm face.

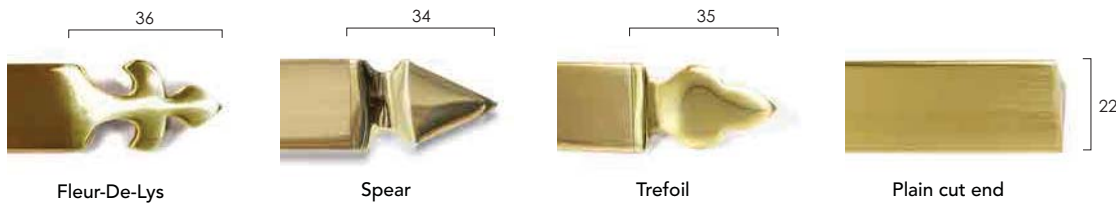
Offering a stylish alternative to traditional round stair rods, triangular rods are cut to customer-specified lengths. Finials are then welded to the ends, hand-finished and polished for a refined look.

Each rod is supplied with two hinged fixing eyes.



Hinged Fixing Eye

#### Choice of Finials



Fleur-De-Lys

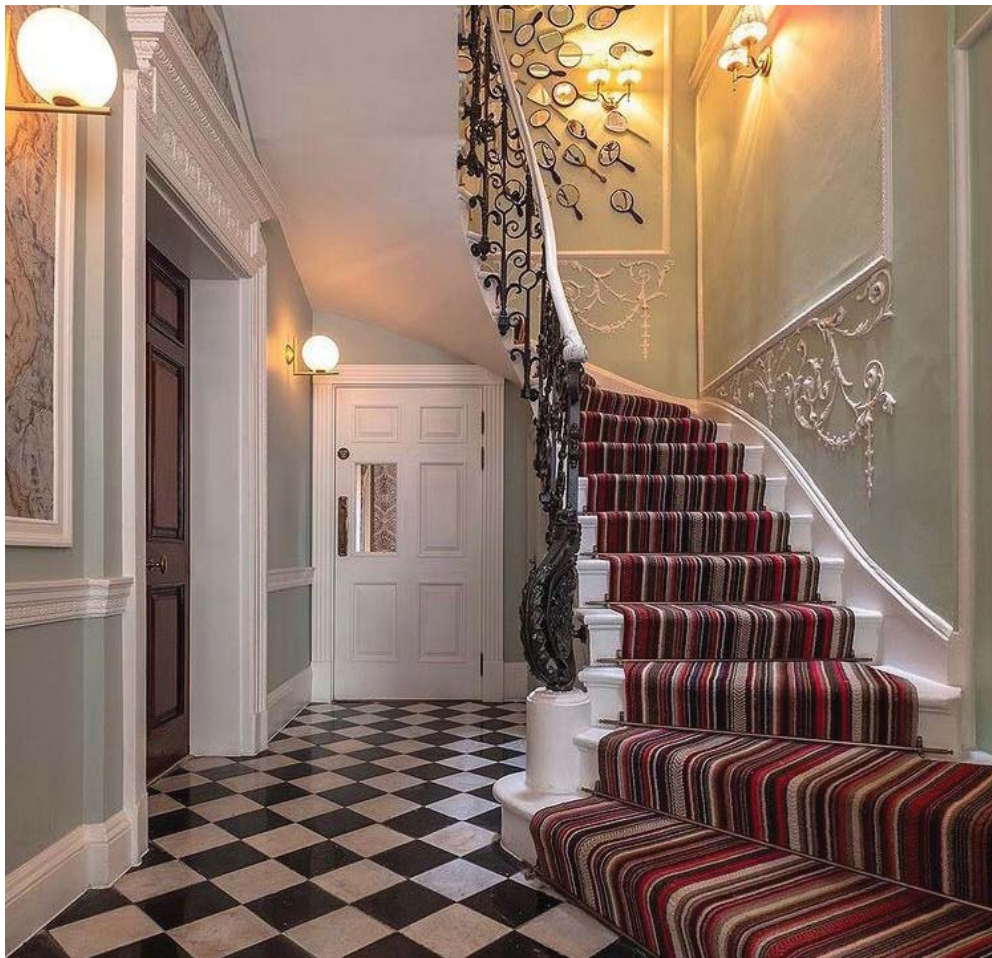
Spear

Trefoil

Plain cut end

If finials are not preferred, rods can be supplied with plain cut ends which are finished to match the face.

For information on measuring for stair rods, please see page 144.



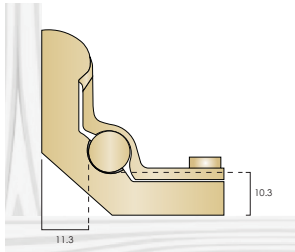
## Stair Rods & Eyes - THE AKEMAN COLLECTION®

### Special Products and Services

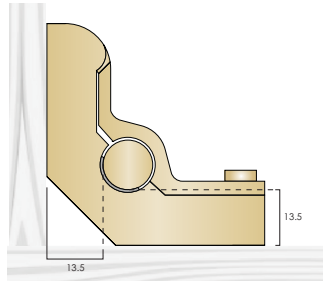
#### Hinged Fixing Eyes

Our stair rods are supplied with two hinged fixing eyes per rod.

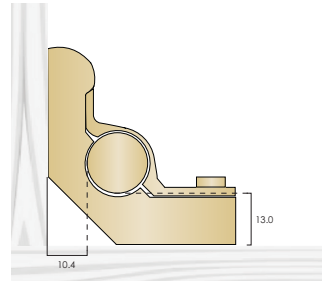
The diagrams below show the distance between the stair rod fitted with hinged fixing eye and stair tread & riser.



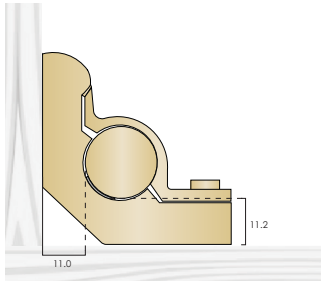
10mm Stair Rod Eye



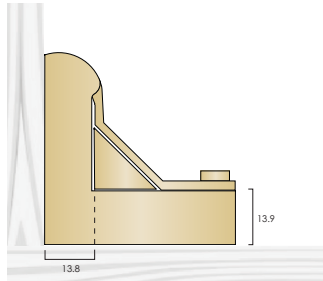
12.5mm Stair Rod Eye



16mm Stair Rod Eye



19mm Stair Rod Eye



Triangular Stair Rod Eye

#### High Style Fixing Eye

High-style hinged eyes are available for 12.5mm stair rods. These feature the same specifications as our standard hinged eyes but include deeper tread and riser details.

They are especially recommended for use with thicker carpet on felt.



#### Stair Rod Joining Detail

For wide staircases, such as those in theatres and public buildings, rods longer than 3 meters are sometimes needed.

For 19mm rods, a joining detail is available to accommodate this length, we also recommend installing a center fixing eye for added stability.



#### Stair Rod Fabrication

For staircases with curved treads, stair rods can be custom fabricated to customer templates.

Please supply templates on stiff card along with all order information, including tip-to-tip dimensions of the rod.



## Stair Rods & Eyes - THE AKEMAN COLLECTION®

### Lead Times

Lead times are indicative and based on typical rod orders up to 50 per consignment. For orders exceeding this quantity, lead times may need to be extended.

For Stair Rod and fabrication lead times, see page 10.

Please note, indicative lead times refer to the manufacture of goods ready for dispatch to customers.



### Solid Brass Round Rods with Turned Finials and Two Hinged Eyes

CAT offers solid brass rods with turned finials in a range of diameters/sizes to suit various installations. These sizes include, 10mm / 3/8", 12.5mm / 1/2", 16mm / 5/8", 19mm / 3/4".

These stair rods are available in Polished Brass, Satin Brass, Antique Brass, Antique Bronze, Chrome, Satin Chrome, Nickel & Satin Nickel.



### Solid Brass Round Rods with Large Finials and Two Hinged Eyes

CAT offers solid brass rods with large turned finials in a range of diameters/sizes to suit various installations. These sizes include, 12.5mm / 1/2" and 16mm / 5/8".

These Stair rods are all available in Polished Brass, Satin Brass, Antique Brass, Antique Bronze, Chrome, Satin Chrome, Nickel & Satin Nickel. Please note both the Nickel and Satin Nickel finishes are only available in the 12.5mm diameter rod.



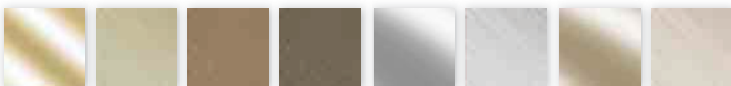
### Solid Brass Triangular Rods with Welded Finials and Two Hinged Eyes

CAT offers solid brass triangular rods with welded finials in a range of finishes including Polished Brass, Satin Brass, Antique Brass, Antique Bronze, Chrome and Satin Chrome.

### Stair Rod Fabrication

Please note that Stair Rods can be curved to a supplied template, for more information please call our customer service team on 01582 561 500.

### Finishes



Polished Brass   Satin Brass   Antique Brass   Antique Bronze   Bright Chrome   Satin Chrome   Bright Nickel   Satin Nickel



Samples Available

## Stair Rods & Eyes - THE AKEMAN COLLECTION®

### Maintenance Guide and Services

#### Brass Rods



Brass is susceptible to oxidation when exposed to atmospheric conditions. To preserve a polished finish on rods, regular polishing with an appropriate metal polish is recommended.

Frequent maintenance is particularly important in public areas, where contact with foot traffic and exposure to liquids can accelerate surface oxidation.

We do not recommend the use of water-based cleaning agents, as these can significantly speed up oxidation, leading to staining and corrosion.

Please note, the longer water stains or water-based cleaning residues are left untreated, the more difficult it will be to remove them.

#### Antique Brass And Antique Bronze Rods



Buff with a dry cloth or duster. A damp cloth may be used for heavily soiled rods but must be dried immediately.



Please note, a full maintenance guide is available to download from our website.

[Scan to download our maintenance guide.](#)

#### Re-Polishing

Our sales team are always available to provide tailored advice on the best maintenance practices for rods, based on individual requirements.

For customers with old or tarnished rods, we are happy to assess the condition and, following an inspection, provide a re-polishing service based on the achievable finish.

#### Chrome and Nickel Rods



Buff with a dry cloth or duster. A damp cloth may be used for heavily soiled rods but must be dried immediately.



The image above shows old tarnished rods before and after re-polishing.

# CAT | FLOORING ACCESSORIES

☎ 01582 561 500 ✉ [sales@catflooringaccessories.com](mailto:sales@catflooringaccessories.com)  
🌐 [catflooringaccessories.com](http://catflooringaccessories.com) 📷 [@catflooringaccessories](https://www.instagram.com/catflooringaccessories)